

Fireplace and Venting Specifications

for
architects
&
designers



TOWN & COUNTRY
LUXURY FIREPLACES™

TC36 & TC36 Arch Series C

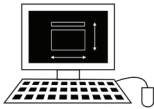
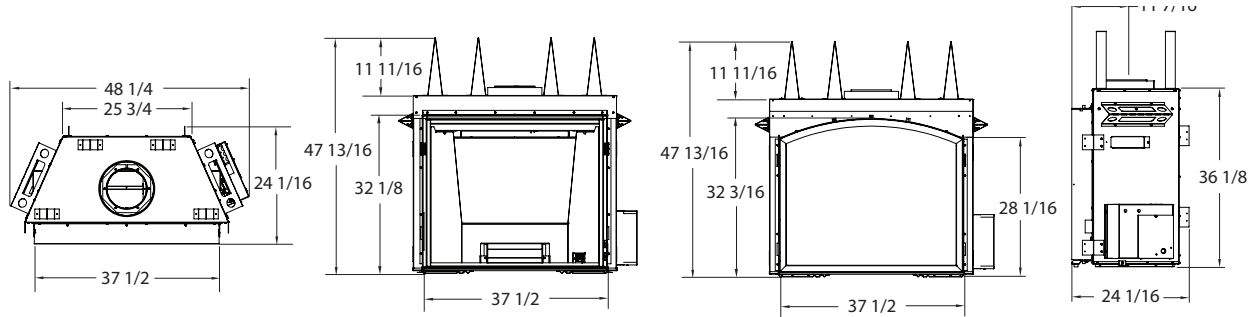
IMPORTANT

This booklet is intended as a basic specification guide for architects, designers and builders. Please refer to the Instruction Manual supplied with the fireplace for detailed information regarding installation and operation. Product installation manuals can also be viewed at: www.townandcountryfireplaces.com



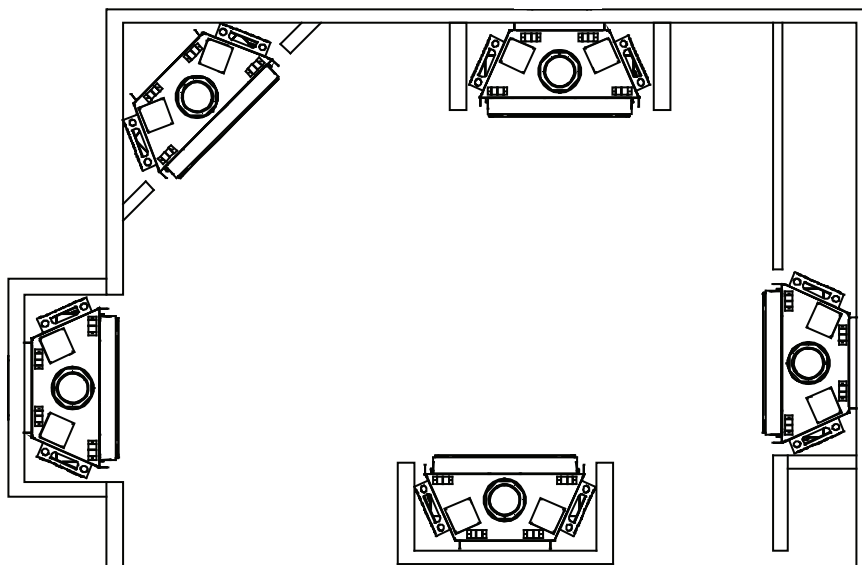
Model TC36 & TC36 Arch Series C

Fireplace Dimensions



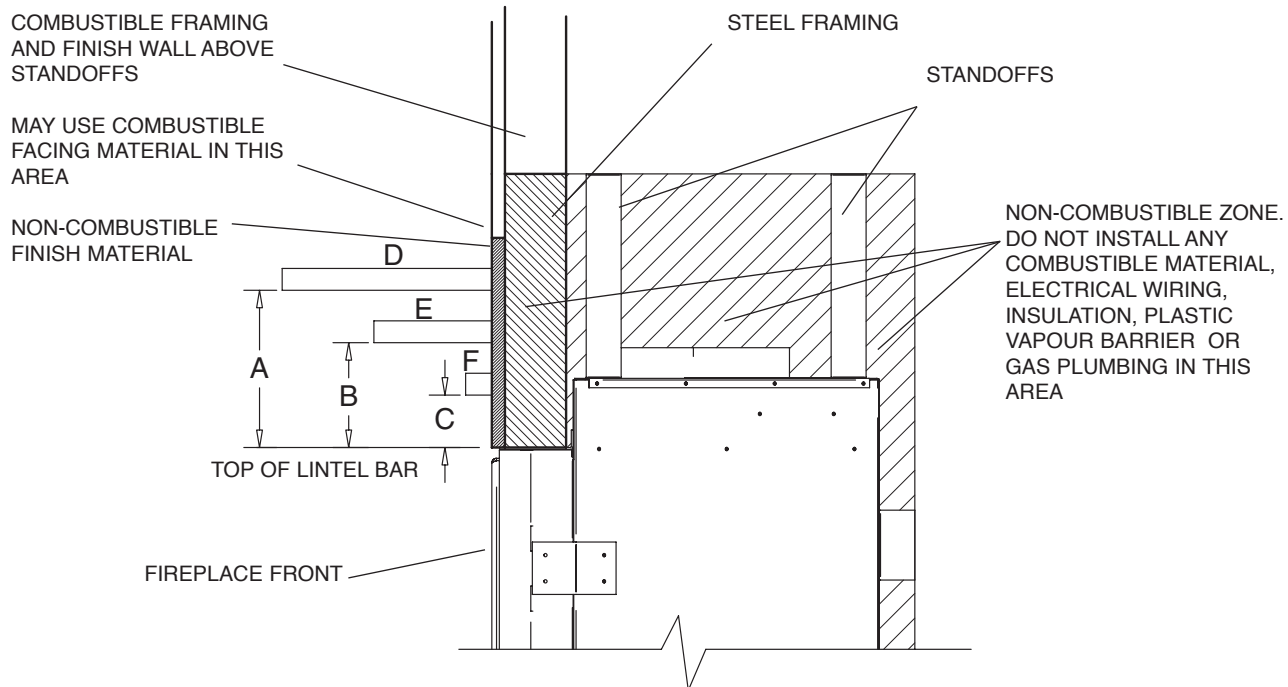
TC36.CE Cad Drawing
Available at
www.townandcountryfireplaces.com

Examples of Common Locations



For reference only. Consult Manual before installation

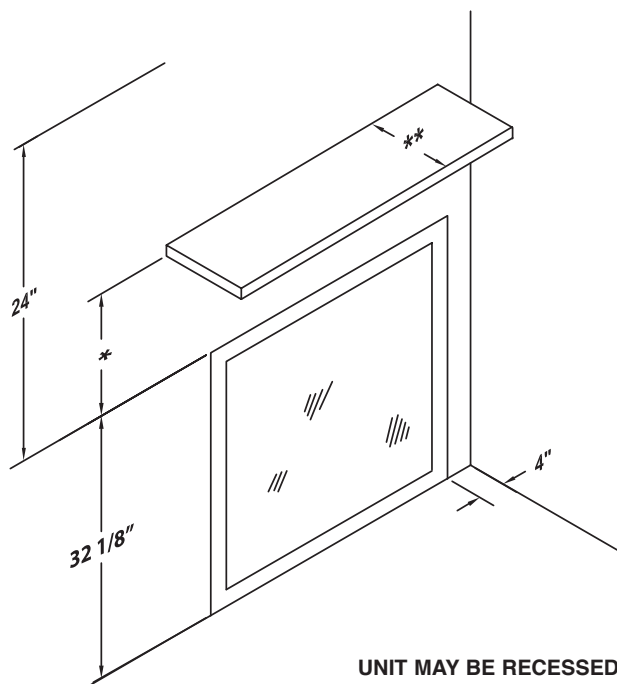
Mantel Clearance Chart



REF.	MANTLE CLEARANCE	REF.	MANTLE EXTENSION
A	9"	D	12"
B	6"	E	6 3/4"
C	3"	F	1 1/2"

Minimum Clearances to Combustibles

Side standoffs.....	0 in.	(0 mm)
Back standoffs.....	0 in.	(0 mm)
Top standoffs.....	0 in.	(0 mm)
Bottom of appliance.....	0 in.	(0 mm)
Adjacent sidewall.....	4 in.	(102 mm)
Ceiling to appliance.....	24 in.	(610 mm)
* Mantel to appliance.....	See above	
** Maximum mantel extension.....	See above	
Mantel support.....	4 in.	(102 mm)
Vertical vent pipe.....	1 3/4"	(45mm)
Horizontal vent pipe		
(Top, sides and bottom).....	1 3/4"	(45mm)



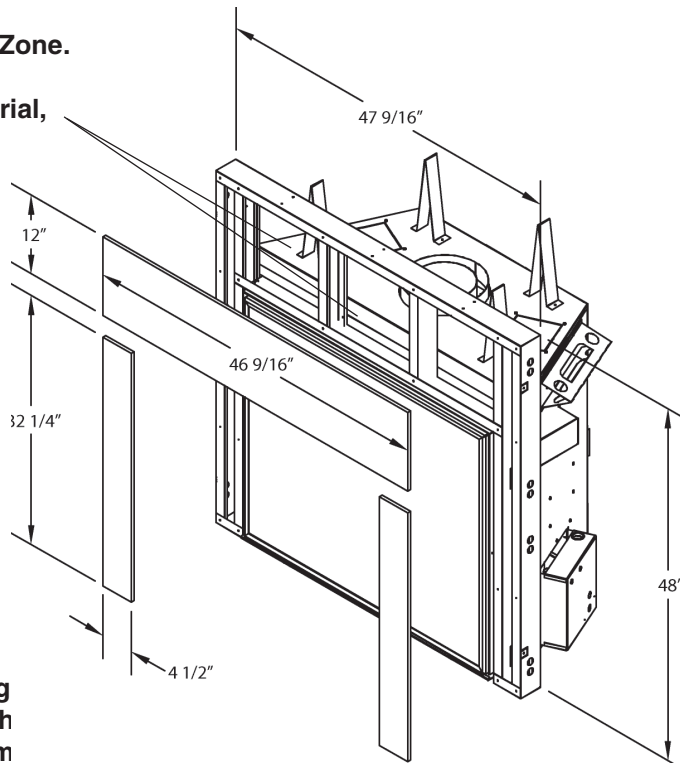
UNIT MAY BE RECESSED UP TO 6" WITH NON-COMBUSTIBLE MASONRY TYPE MATERIAL

For reference only. Consult Manual before installation

Steel Stud Framing Kit Dimensions

Kit supplied with unit

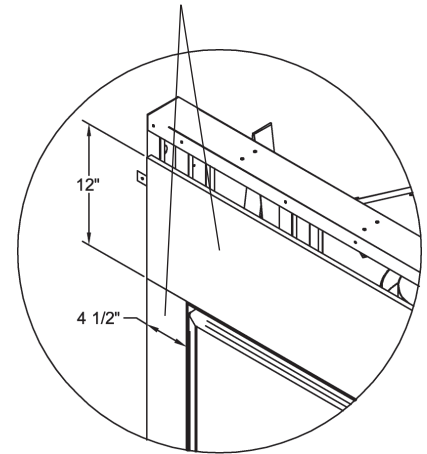
Non-combustible Zone.
Do not install any combustible material, electric wiring, insulation, plastic vapour barrier or gas plumbing within the steel stud frame.



All other framing can be done with conventional lum

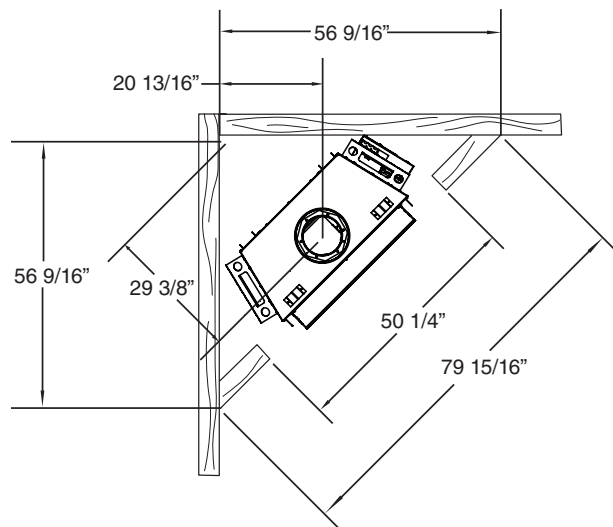
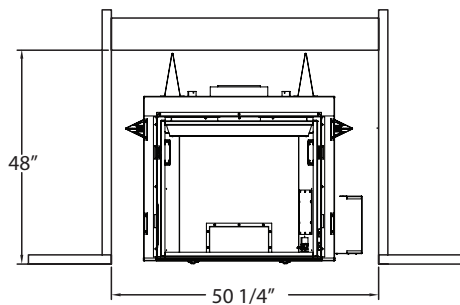
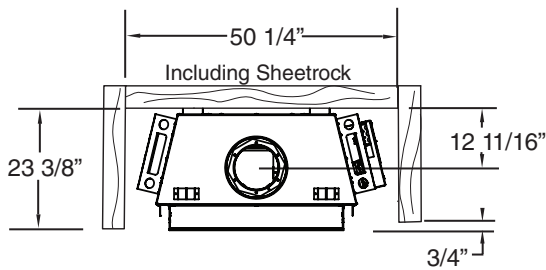
Non-combustible Board Detail

NON-COMBUSTIBLE BOARD



Non-combustible board (or other non-combustible material) must extend 12" above and 4 1/2" to the sides of the framing edges.

Minimum Combustible Framing Dimensions



NOTE: Fireplace should be in its final location before framing.

For reference only. Consult Manual before installation

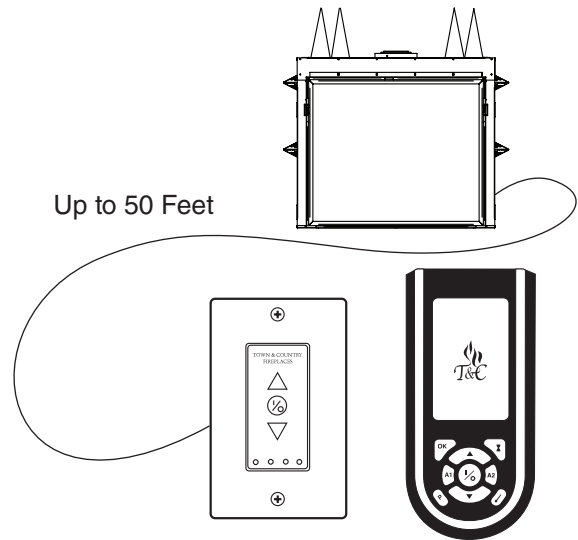
Maestro Control System

Town and Country C Series fireplaces include our award winning Maestro controls.

They include an elegant, programmable remote control with a count-down timer, weekday/weekend on/off timer, manual control and thermostat mode (where permitted), and an easy to read LCD display.

They also come with a small, wall-mounted control which permits on/off operation, flame modulation and houses the battery back-up system for operation during power outages.

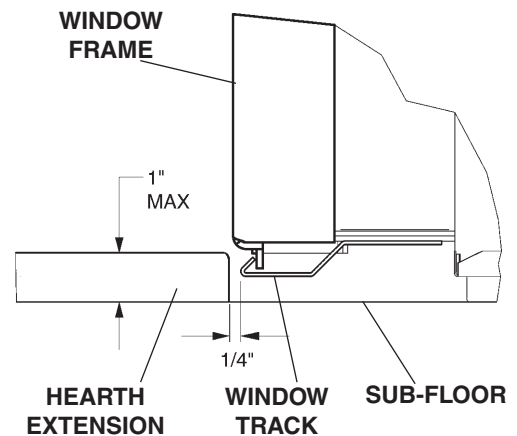
Maestro controls use an on-demand electronic ignition system, a green alternative to standing pilots, which can cut your annual fuel consumption up to 74%.



Hearth Extension

Caution: While a hearth extension is not required and combustible flooring materials may be brought directly up to the fireplace, many materials (such as wood flooring) may not tolerate the radiant heat from this fireplace, resulting in discoloration, shrinking and cracking. For this reason, we suggest a non-combustible hearth that is no more than 1" above the bottom of the fireplace. If thicker, fireplace must be raised accordingly.

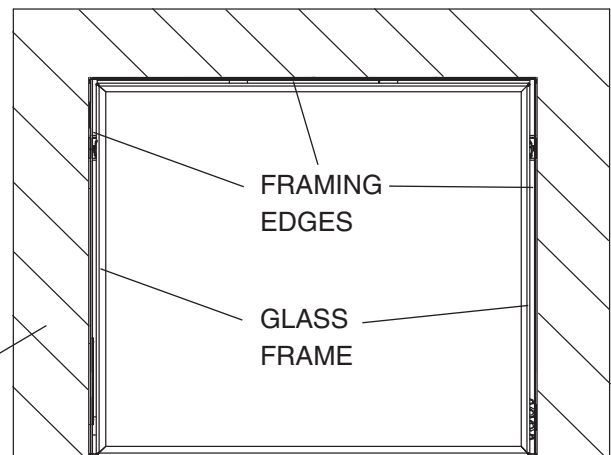
Caution: Hearth extensions thicker than 1" will interfere with the window frame when opening.



Side Facing Clearances

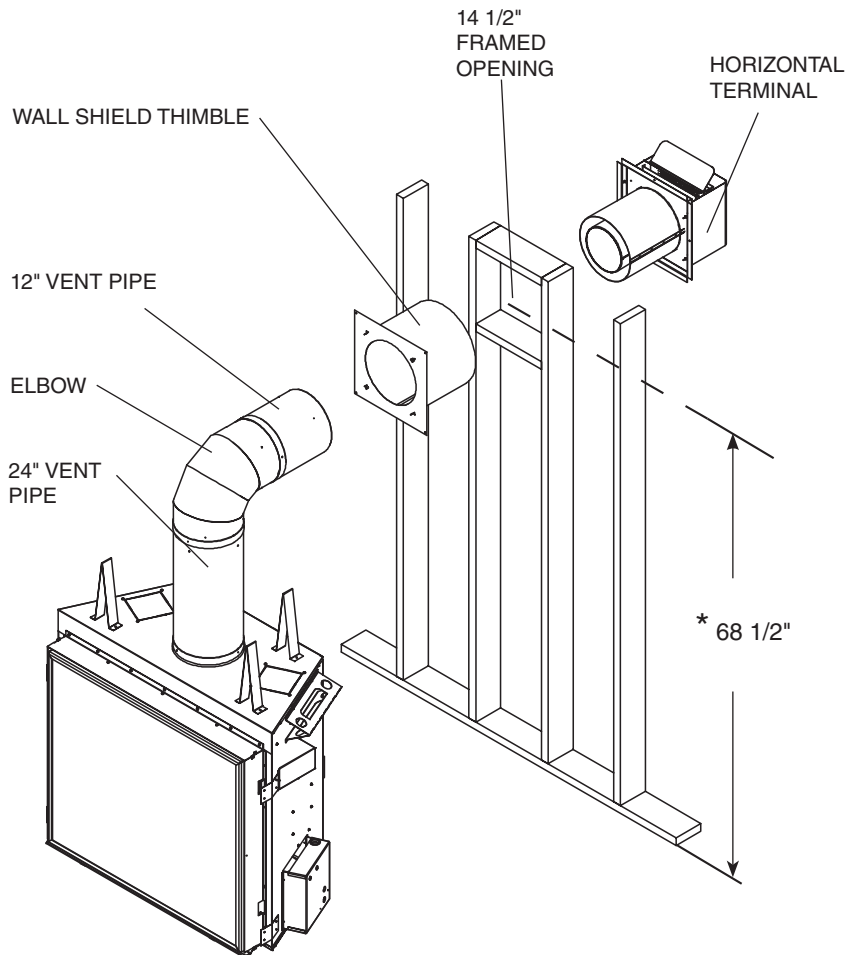
Caution: This fireplace may be recessed up to a maximum depth of 6". This recess must be constructed from non combustible material. The space between the outside framing edge and the firebox must be completely free of any obstructions or debris and the window, with trim fitted, must be able to move freely. No building material is permitted to protrude past the framing edges attached to the fireplace under ANY circumstance.

NON-COMBUSTIBLE
FINISH MATERIAL



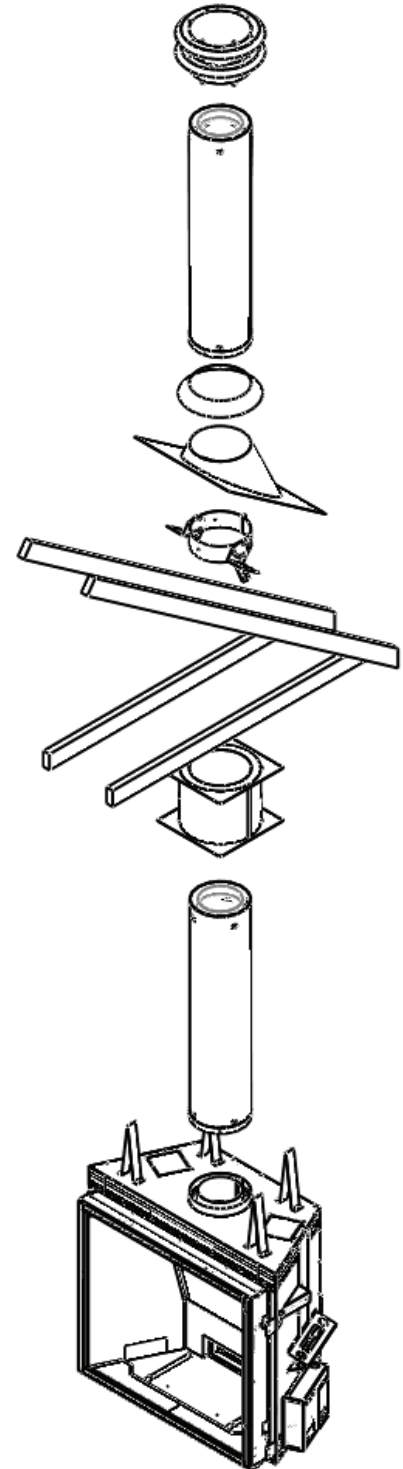
For reference only. Consult Manual before installation

Direct Vent Wall Installation



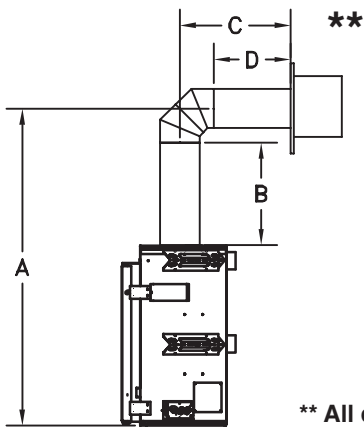
* Minimum height from the floor to center of the opening with a maximum horizontal run of 18" from the center of the flue outlet to the outside face of the outer wall. The height will need to be increased if a longer horizontal pipe is required.

Direct Vent Roof Installation



For reference only. Consult Manual before installation

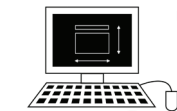
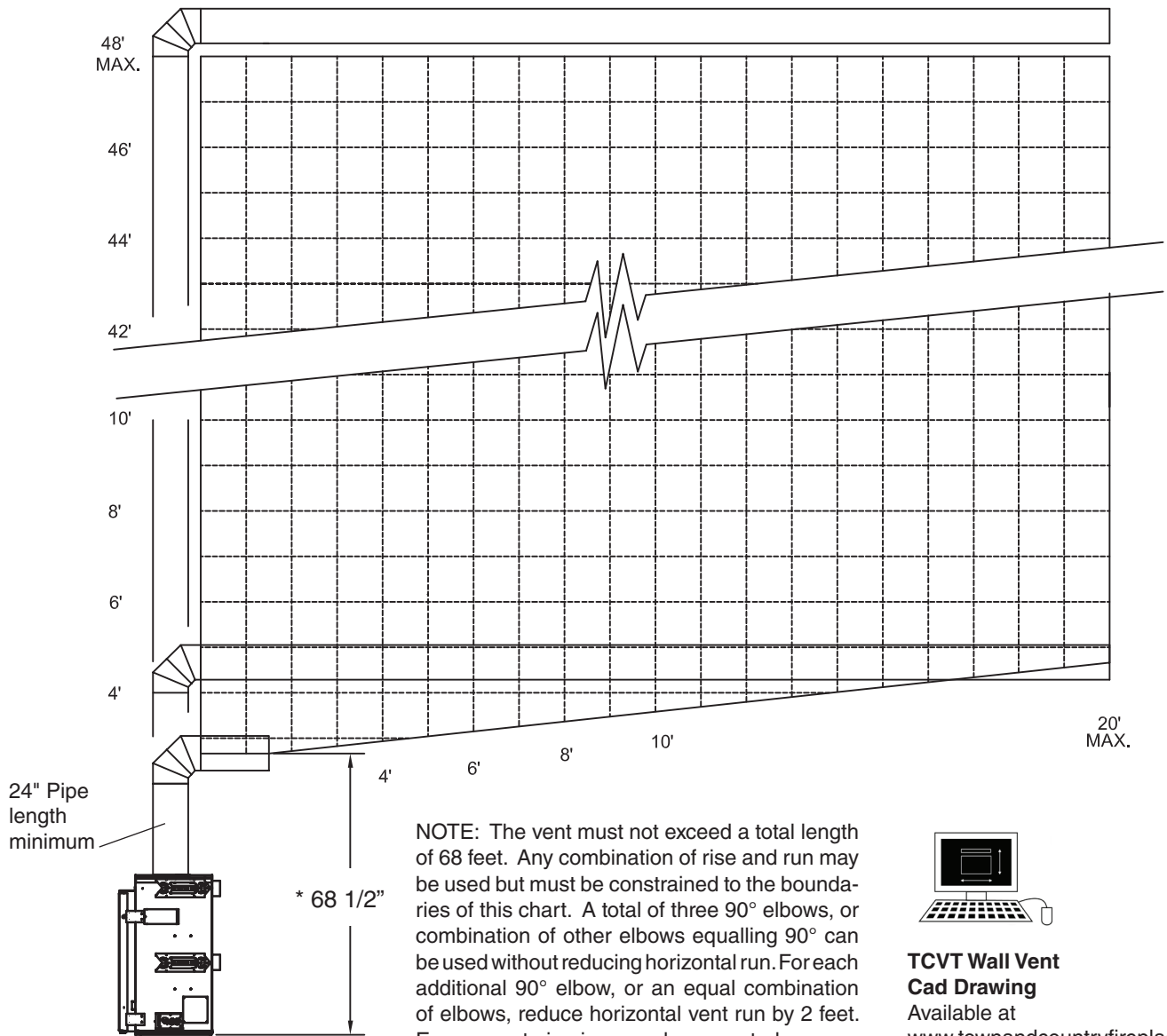
Wall Termination Venting Charts



A Minimum rise	B Pipe length	C Maximum run	D Pipe length Max.
68 1/2"	1-24"	20 1/2"	1-12"
72 3/4"	1-12" 1-18"	75 3/4"	1-48" 1-12"
78 3/4"	1-24" 1-12"	11' 2"	2-48" 1-24"
84 3/4"	1-24" 1-18"	15' 10 1/2"	3-48" 1-24" 1-12"
92 1/2"	1-48"	20' 10 1/2"	5-48"

For other rise/run combinations see chart below

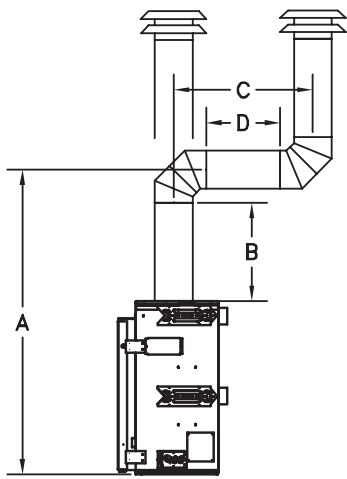
** All dimensions are approximate. Both rise and run may vary with different combinations of pipe.



**TCVT Wall Vent
Cad Drawing**
Available at
www.townandcountryfireplaces.com

For reference only. Consult Manual before installation

Roof Termination Venting Charts

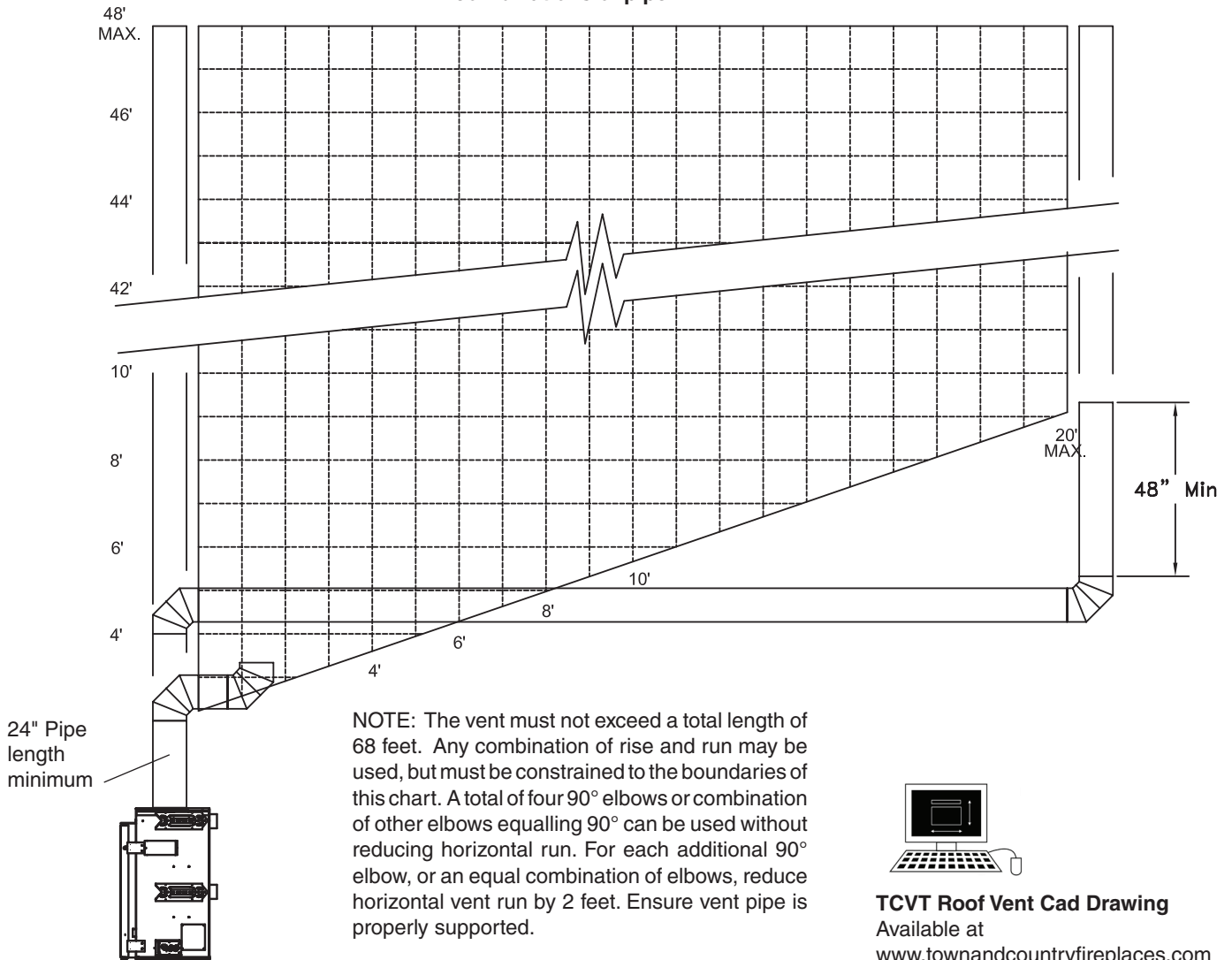


**

A Minimum rise	B Pipe length	C Maximum run	D Pipe length Maximum
68 1/2"	1-24"	29"	1-12"
72 3/4"	1-12" 1-18"	75 1/4"	1-48" 1-12"
78 3/4"	1-24" 1-12"	11' 1 1/2"	2-48" 1-24"
84 3/4"	1-24" 1-18"	15' 10"	3-48" 1-24" 1-12"
92 1/2"	1-48"	20' 10"	5-48"

For other rise/run combinations see chart below

** All dimensions are approximate. Both rise and run may vary with different combinations of pipe.



TCVT Roof Vent Cad Drawing
Available at
www.townandcountryfireplaces.com

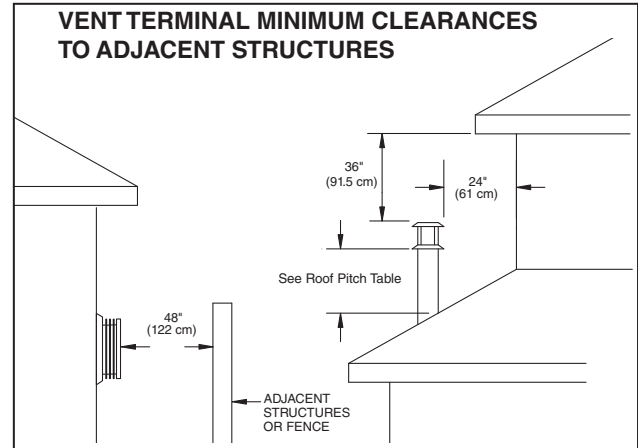
For reference only. Consult Manual before installation

Vent Terminal Clearance

Minimum clearances to the vent terminal must be maintained as shown (See illustration to right & below). Measure clearances to the nearest edge of termination hood. (See pitch table below).

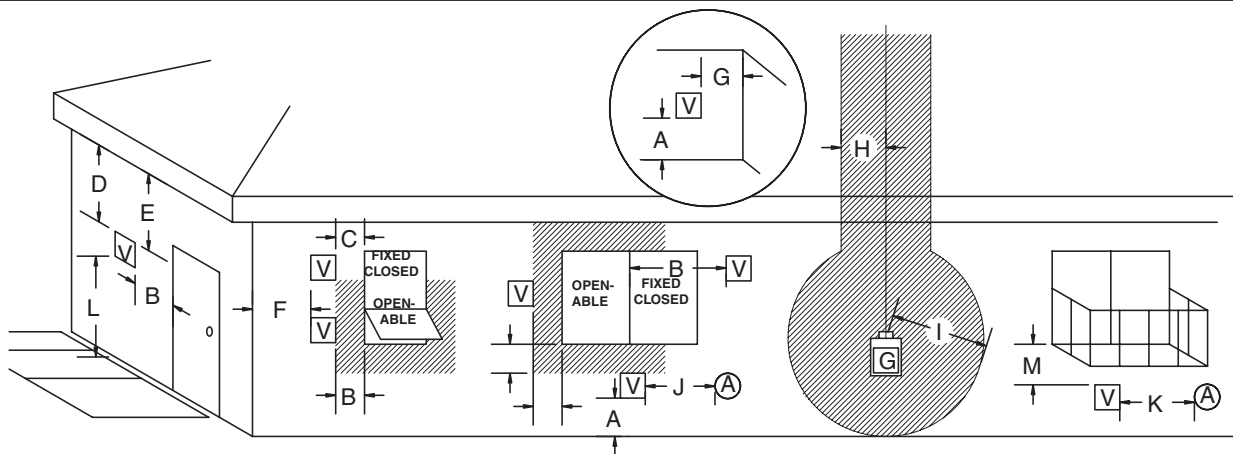
NOTE: Vent terminal must not be recessed

NOTE: LOCAL CODES OR REGULATIONS MAY REQUIRE DIFFERENT CLEARANCES.



Roof Pitch Table	(minimum)	
	ft	m
Flat to 6/12	1.00	0.30
Over 6/12 to 7/12	1.25	0.38
Over 7/12 to 8/12	1.50	0.46
Over 8/12 to 9/12	2.00	0.61
Over 9/12 to 10/12	2.50	0.76
Over 10/12 to 11/12	3.25	0.99
Over 11/12 to 12/12	4.00	1.22

Vent Terminal Minimum Clearances



☐ VENT TERMINAL

Ⓐ AIR SUPPLY INLET

▨ AREA WHERE TERMINAL IS NOT PERMITTED

Ⓜ GAS METER

A=	*12 inches (30 cm) min.	Clearances above grade, veranda, porch, deck, or balcony
B=	*12 inches (30 cm) min.	Clearance to window or door that may be opened
C=	12 inches (30 cm) min.	Clearance to permanently closed window recommended to prevent condensation on window
D=	30 inches (76 cm) min.	Vertical clearance to ventilated soffit located above the terminal within a horizontal distance of 2 feet (60 cm) from the edge of the terminal
E=	30 inches (76 cm) min.	Clearance to unventilated soffit
F=	6 inches (15 cm) min.	Clearance to outside corner
G=	6 inches (15 cm) min.	Clearance to inside corner
H=	3 feet (90 cm) min.	*Not to be installed above a meter/regulator assembly within 3 feet (90 cm) horizontally from the center-line of the regulator
I=	*6 feet (1.8 m) min.	Clearance to service regulator vent outlet
J=	*12 inches (30 cm) min.	Clearance to non-mechanical air supply inlet to building or the combustion air inlet to any other appliance
K=	*6 feet (1.8 m) min.	Clearance to a mechanical air supply inlet
L=	*7 feet (2.1 m) min.	^ Clearance above paved side-walk or a paved driveway located on public property
M=	**30 inches (76 cm) min	Clearance under veranda, porch, deck, or balcony

^ a vent shall not terminate directly above a side-walk or paved driveway which is located between two single family dwellings and serves both dwellings*

** only permitted if veranda, porch, deck, or balcony is fully open on a minimum of 2 sides beneath the floor*

* as specified in CAN/CSA B149 Installation Codes, Note: local Codes or Regulation may require different clearances

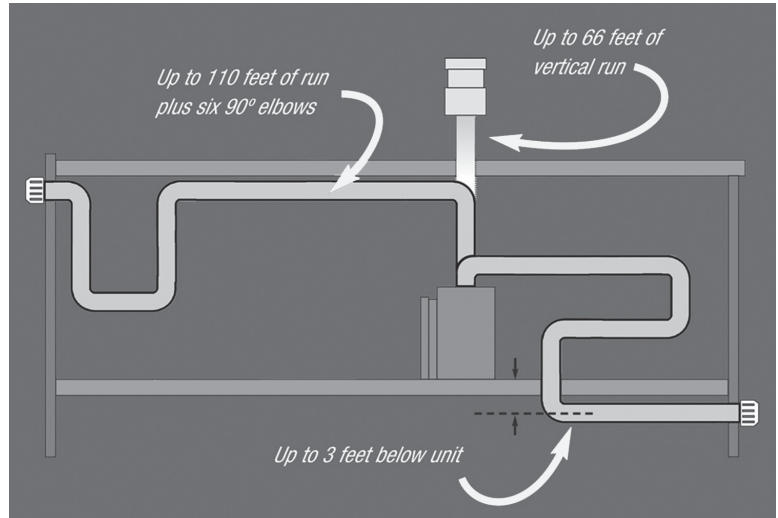
* for U.S.A. Installations follow the current National Fuel Gas Code, NFPA54 /ANSI #Z21.50.b

For reference only. Consult Manual before installation

Optional Power Vent

Reach almost any room or commercial setting. Optional Power Venting allows runs up to 110' from an outside wall or roof surface. Vent horizontally or vertically with up to six 90-degree elbows, including runs up to 3' below the fireplace.

The premium Power Vent fan runs quietly outside, at the exterior terminal.



Power Vent Terminals

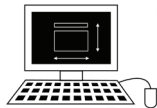
Wall Termination



Roof Termination



Flush Mount Horizontal Termination



Cad Drawings available at www.townandcountryfireplaces.com

Direct Vent Terminals

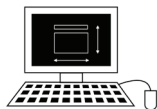
Standard Venting Roof Termination



Standard Venting Wall Termination



Stainless Steel Standard Venting Termination for Condo Installation



Cad Drawings available at www.townandcountryfireplaces.com



TOWN & COUNTRY
LUXURY FIREPLACES™

For personal service pertaining to specific projects, contact:

Town & Country Architect Resource Planner

architects@pacificenergy.net

Web: www.townandcountryfireplaces.com

Phone: (250) 748-1184

Toll Free: 1-877-715-2664

2975 Allenby Road, Duncan, BC Canada V9L 6V8

Printed in Canada