

for  
architects  
designers  
and  
builders

## IMPORTANT

This booklet is intended as a basic specification guide for architects, designers and builders. Please refer to the Instruction Manual supplied with the fireplace for detailed information regarding installation and operation.

Product installation manuals can also be viewed at:

[www.townandcountryfireplaces.net](http://www.townandcountryfireplaces.net).



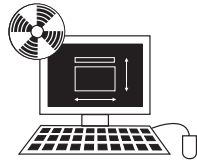
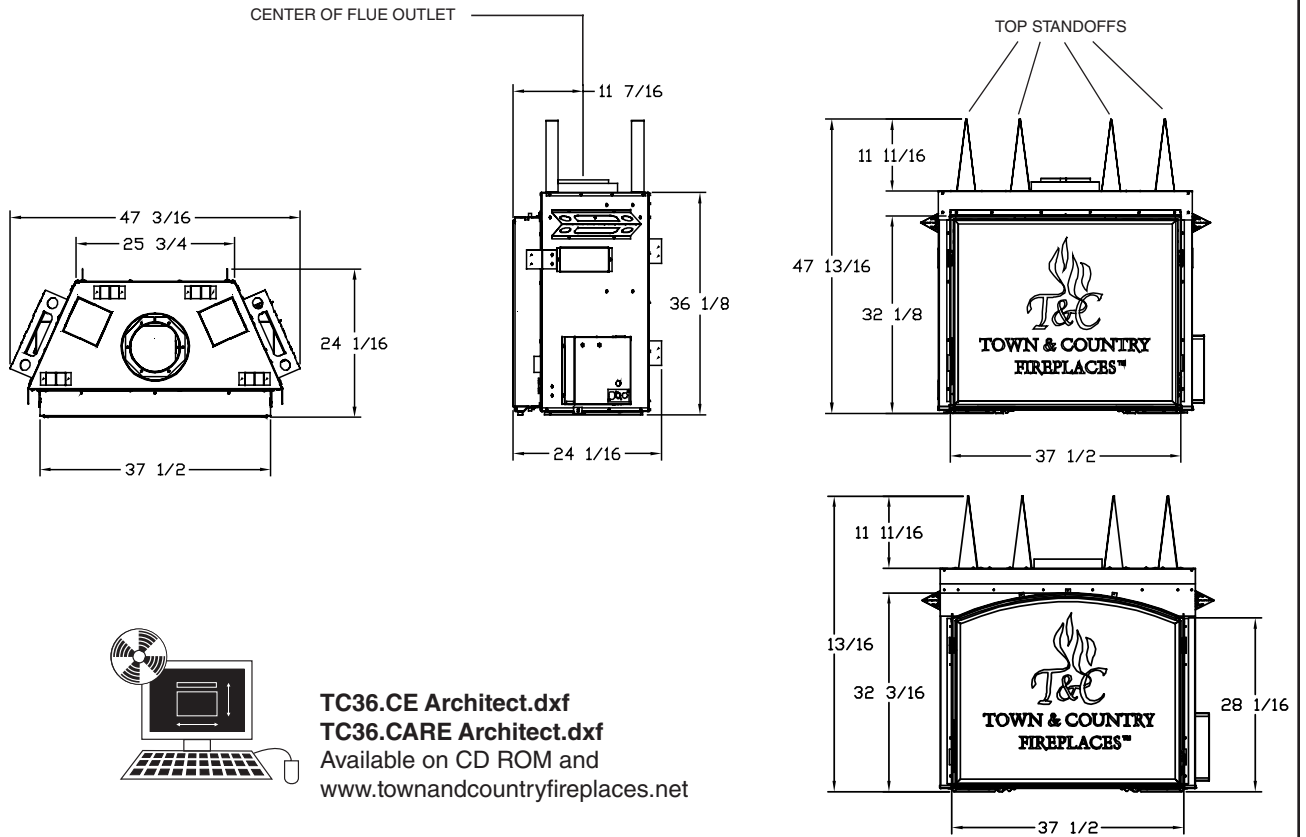
TOWN & COUNTRY  
FIREPLACES™

**TC36 & TC36 Arch**  
**Series C**



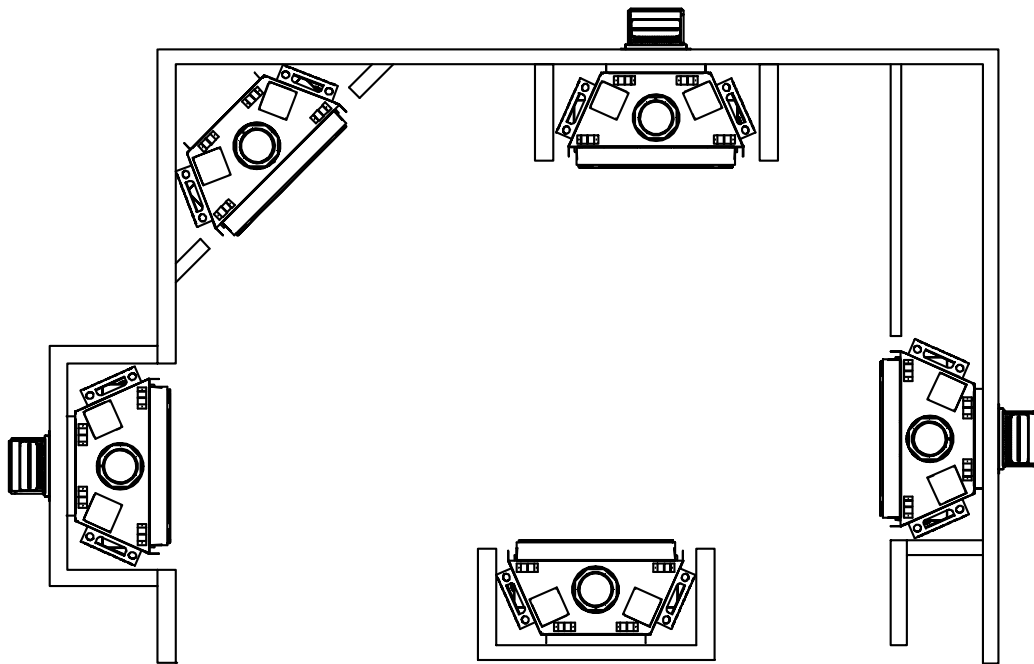
**Model TC36 & TC36 Arch Series C**

# Fireplace Dimensions



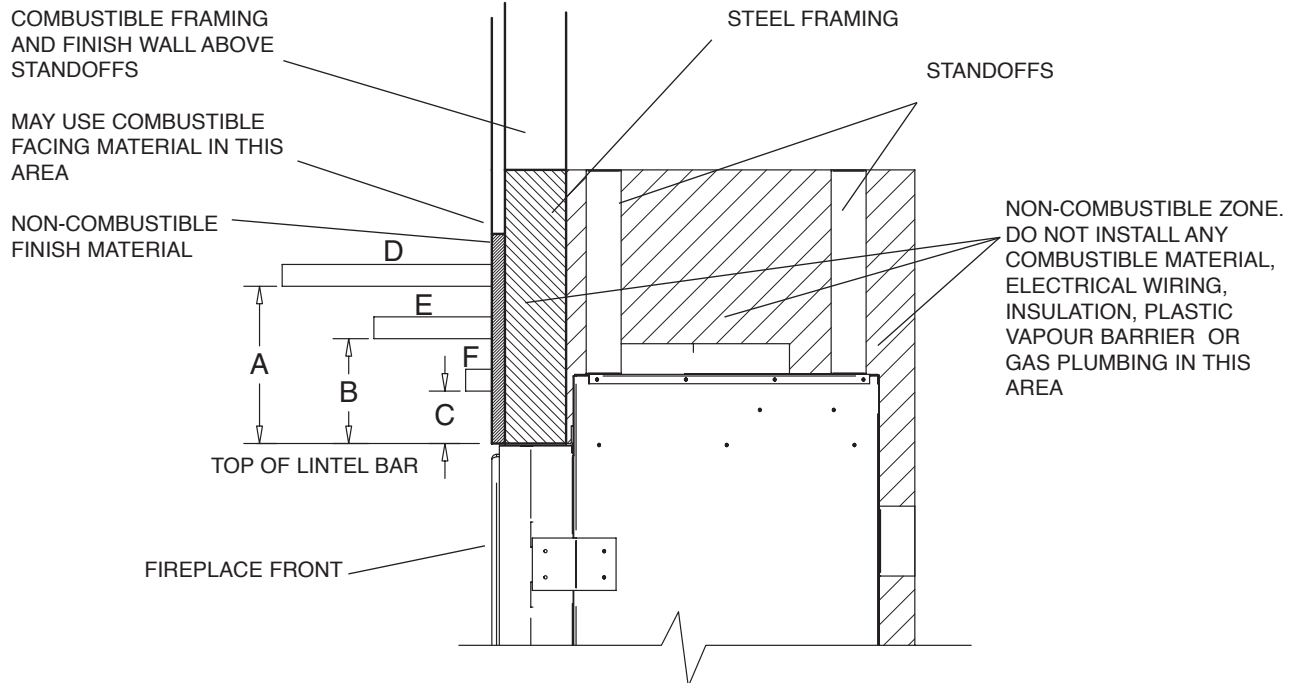
TC36.CE Architect.dxf  
 TC36.CARE Architect.dxf  
 Available on CD ROM and  
[www.townandcountryfireplaces.net](http://www.townandcountryfireplaces.net)

## Examples of Common Locations



For reference only. Consult Manual before installation

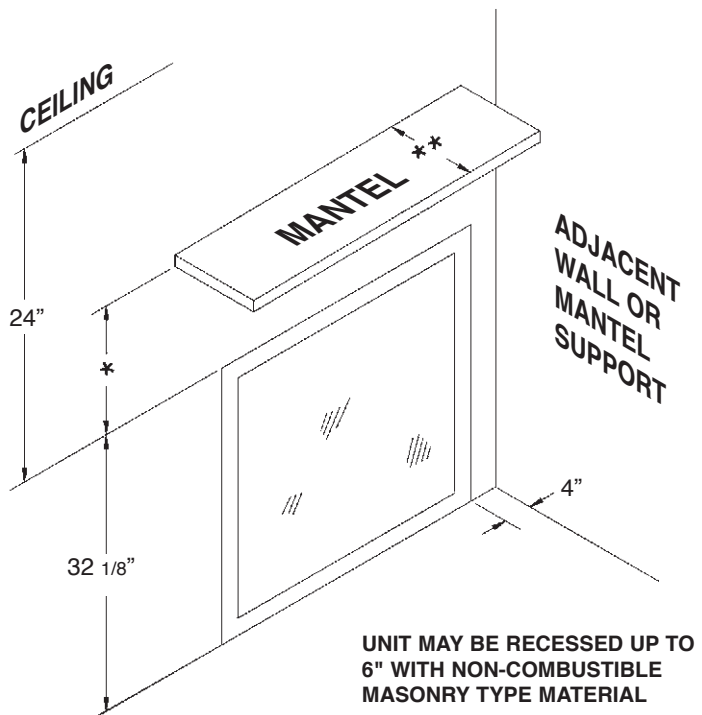
# Mantel Clearance Chart



REF.	MANTLE CLEARANCE	REF.	MANTLE EXTENSION
A	9"	D	12"
B	6"	E	6 3/4"
C	3"	F	1 1/2"

## Minimum Clearances to Combustibles

Side standoffs.....	0 in.	(0 mm)
Back standoffs.....	0 in.	(0 mm)
Top standoffs.....	0 in.	(0 mm)
Bottom of appliance.....	0 in.	(0 mm)
Adjacent sidewall.....	4 in.	(102 mm)
Ceiling to appliance.....	24 in.	(610 mm)
* Mantel to appliance.....	See above	
** Maximum mantel extension.....	See above	
Horizontal vent pipe		
Top.....	1-3/4 in.	(45 mm)
Sides.....	1-3/4 in.	(45 mm)
Bottom.....	1-3/4 in.	(45 mm)

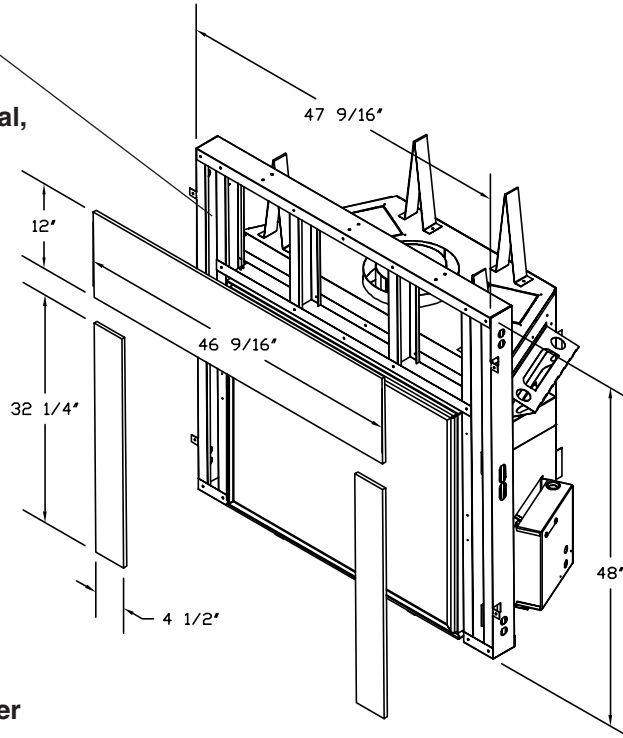


For reference only. Consult Manual before installation

# Steel Stud Framing Kit Dimensions

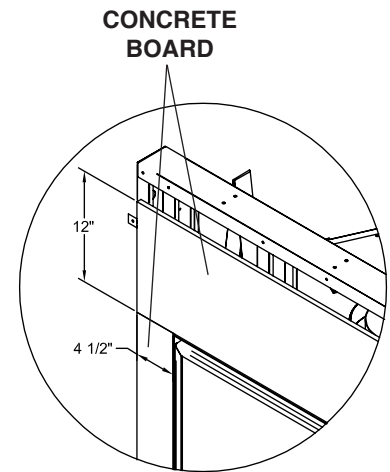
Kit supplied with unit

**Non-combustible Zone.**  
Do not install any combustible material, electric wiring, insulation, plastic vapour barrier or gas plumbing within the steel stud frame.



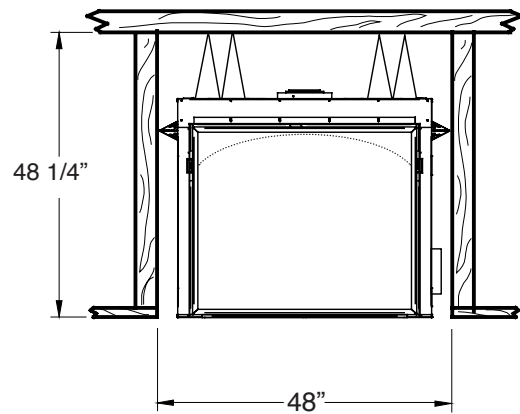
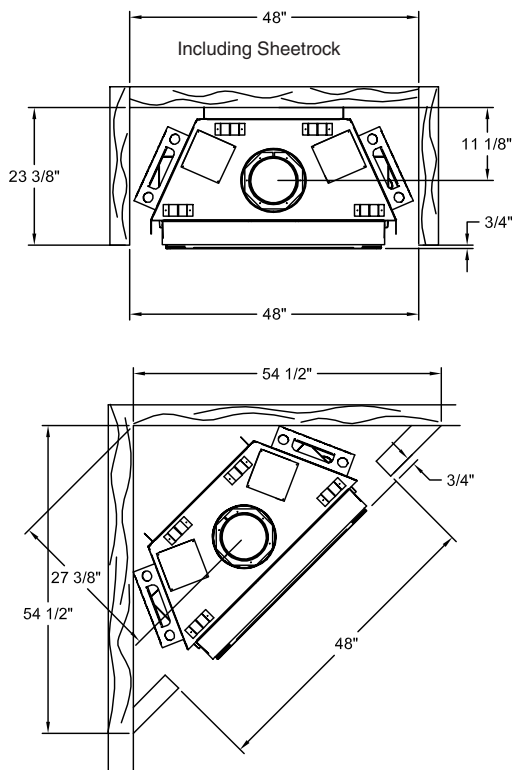
All other framing can be done with conventional lumber

# Concrete Board Detail



Concrete board (or other non-combustible material) must extend 12" above and 4 1/2" to the sides of the framing edges.

# Minimum Combustible Framing Dimensions



**NOTE:** Fireplace should be in its final location before framing.

For reference only. Consult Manual before installation

# Maestro Control System

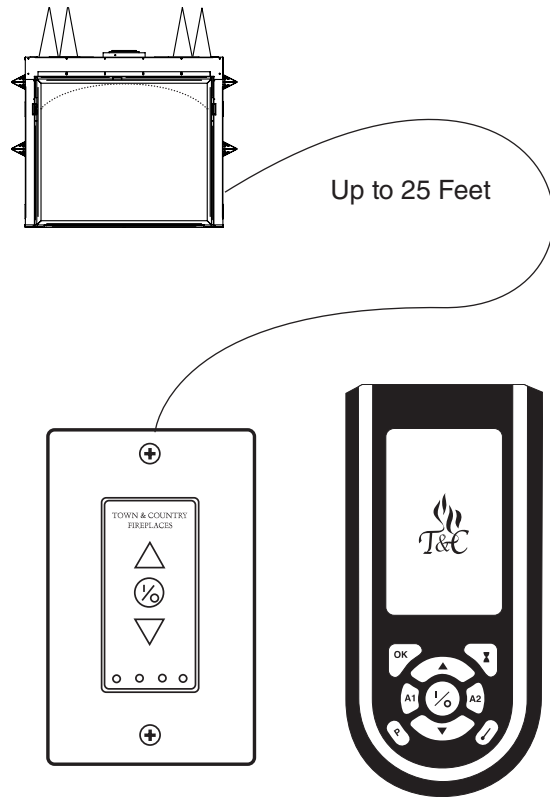
Town & Country Fireplaces feature the Maestro Control System\*. Each fireplace arrives equipped with a small wall-mounted decor-series faceplate that is located by wire up to 25' from the hearth. This permits on/off operation, flame modulation and houses the battery back-up system for operation during power outages.

The concealed valve system within the fireplace features a quick disconnect modular design, and external ports for gas set-up and testing. With no batteries in the fireplace, there is little need for the property owner to open the glass upon installation.

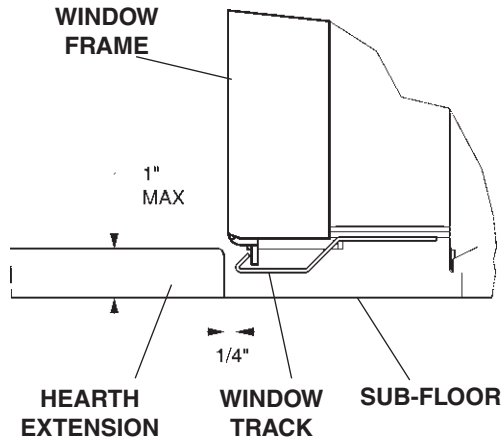
An elegant handheld 4-way programmable remote is also included with every unit. A count-down timer, week-day/weekend programmable on/off, manual control and thermostat mode (where permitted), are programmed on the easy-to-read LCD display. The remote also offers a child lock-out feature.

Each Town & Country Fireplace is shipped with a Maestro Control electronic ignition system. Conversion to standing pilot is possible at the press of a button.

*\*Available on Series C Town & Country fireplaces only.*



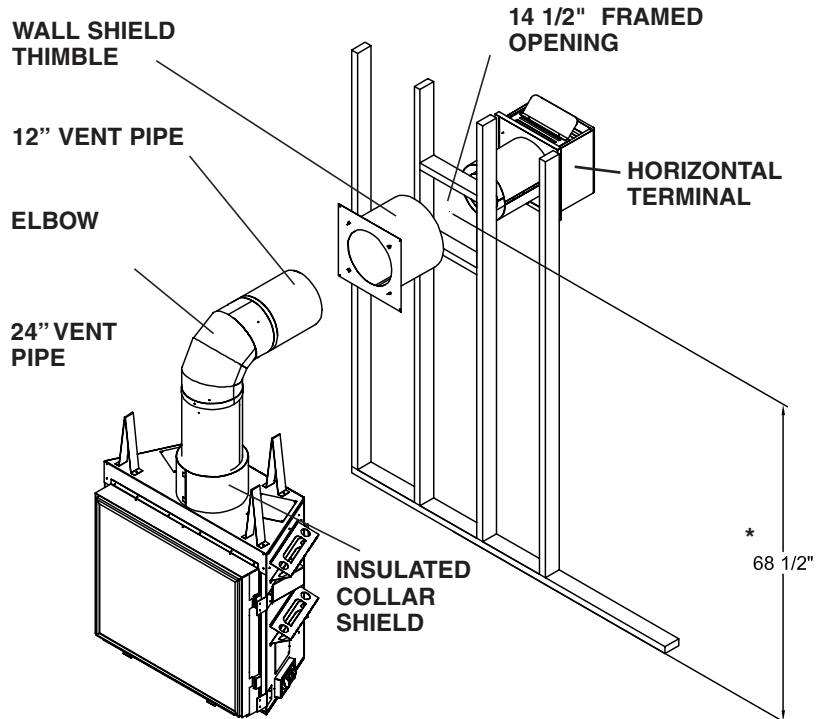
## Hearth Extension



While a hearth extension is not required for this fireplace, one is recommended for aesthetic reasons. The hearth extension should be non-combustible and must not be any more than 1" above the bottom of the fireplace. If thicker, fireplace must be raised up accordingly.

**Caution: Hearth extensions thicker than 1" will interfere with the window frame.**

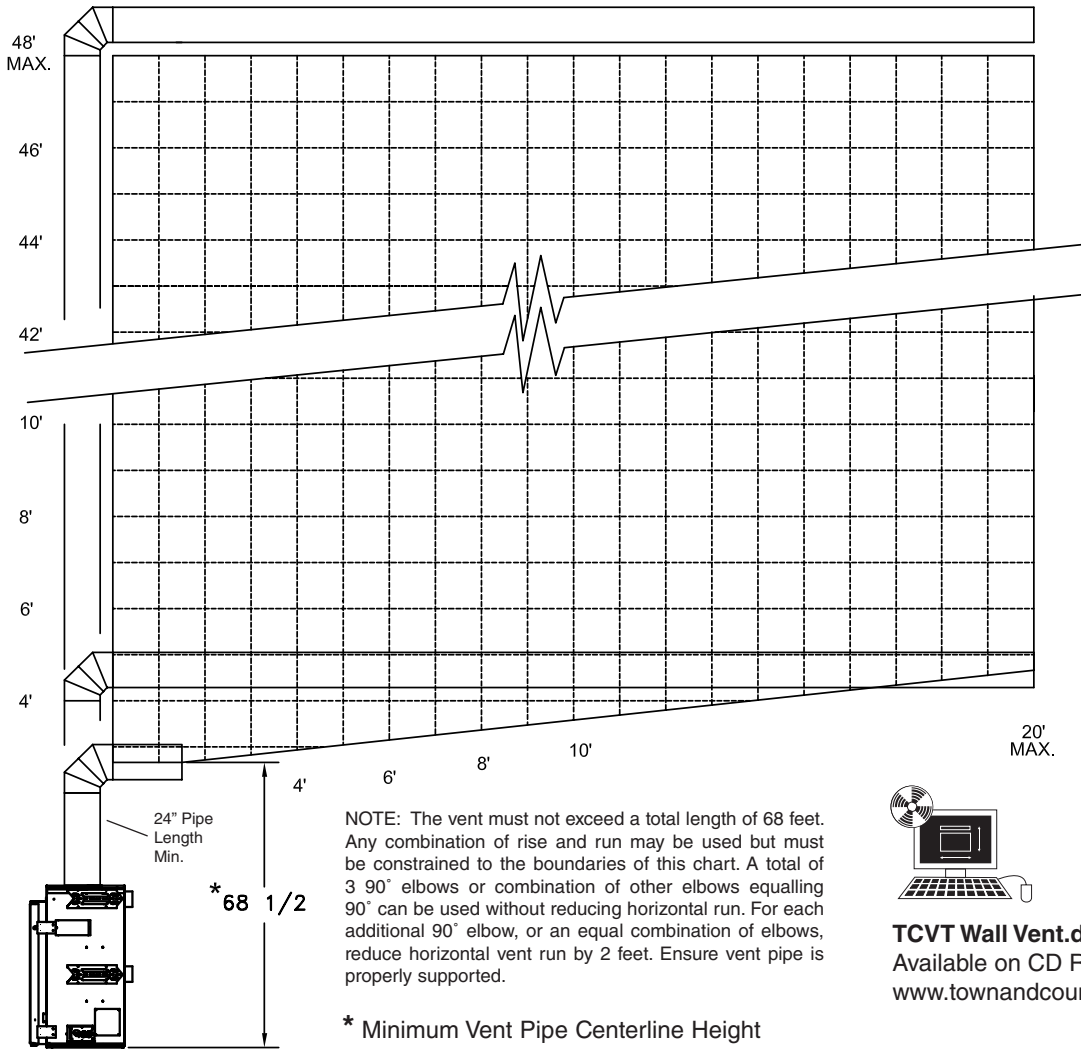
## Through the Wall Installation



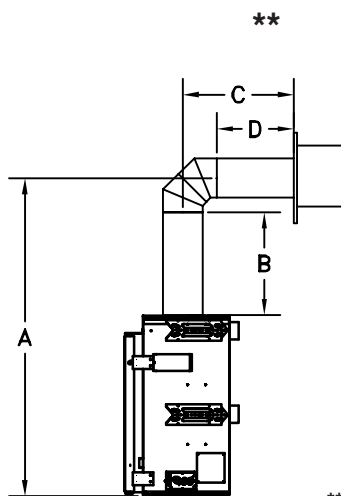
\* Minimum distance from the floor to center of the opening with a maximum horizontal run of 18". May need to be increased with a longer horizontal run.

For reference only. Consult Manual before installation

# Wall Termination Venting Charts



**TCVT Wall Vent.dxf**  
Available on CD ROM and  
[www.townandcountryfireplaces.net](http://www.townandcountryfireplaces.net)

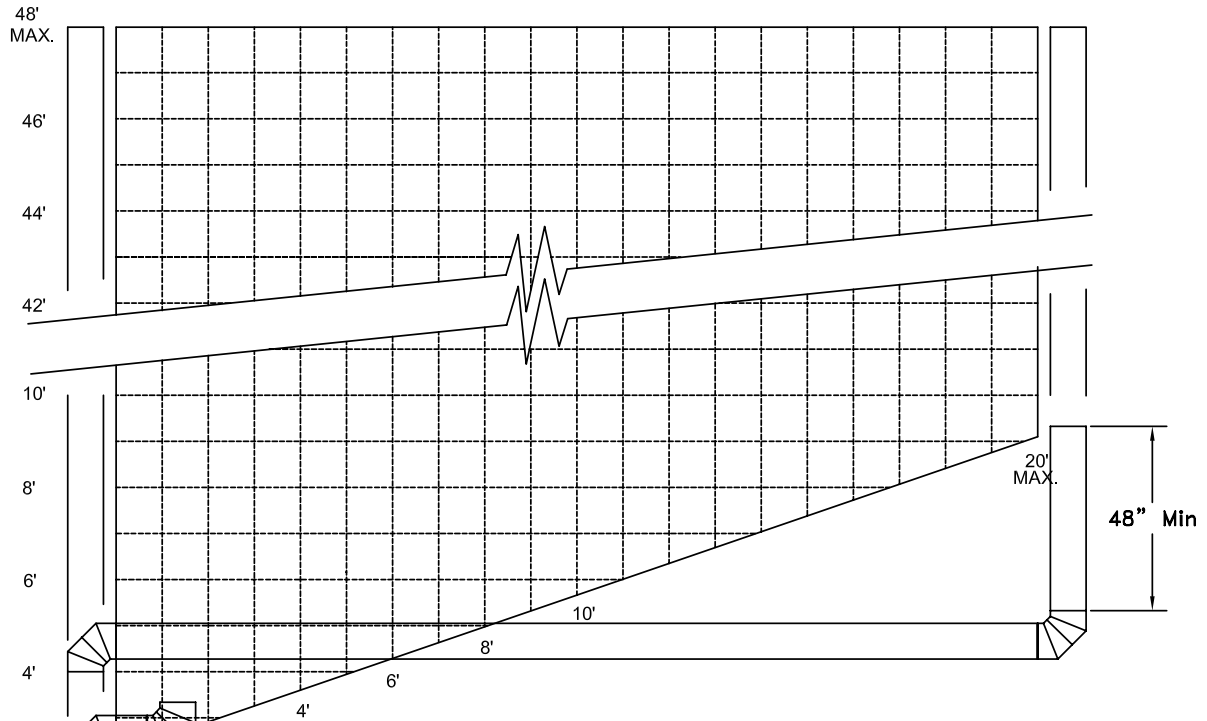


<b>A</b> Minimum rise	<b>B</b> Pipe length	<b>C</b> Maximum run	<b>D</b> Pipe length Maximum
68 1/2"	1-24"	20 1/2"	1-12"
72 3/4"	1-12" 1-18"	75 3/4"	1-48" 1-12"
78 3/4"	1-24" 1-12"	11' 2"	2-48" 1-24"
84 3/4"	1-24" 1-18"	15' 10 1/2"	3-48" 1-24" 1-12"
92 1/2"	1-48"	20' 10 1/2"	5-48"

\*\* All dimensions are approximate. Both rise and run may vary with different combinations of pipe.

**For reference only. Consult Manual before installation**

# Roof Termination Venting Charts



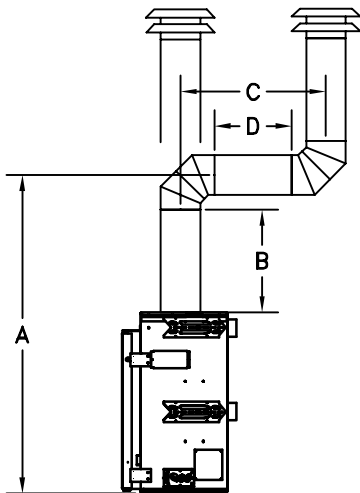
NOTE: The vent must not exceed a total length of 68 feet. Any combination of rise and run may be used but must be constrained to the boundaries of this chart. A total of 4 90° elbows or combination of other elbows equalling 90° can be used without reducing horizontal run. For each additional 90° elbow, or an equal combination of elbows, reduce horizontal vent run by 2 feet. Ensure vent pipe is properly supported.

24" Pipe  
Length Min.



**TCVT Roof Vent.dxf**  
Available on CD ROM and  
[www.townandcountryfireplaces.net](http://www.townandcountryfireplaces.net)

\*\*



<b>A</b> Minimum rise	<b>B</b> Pipe length	<b>C</b> Maximum run	<b>D</b> Pipe length Maximum
68 1/2"	1-24"	29"	1-12"
72 3/4"	1-12" 1-18"	75 1/4"	1-48" 1-12"
78 3/4"	1-24" 1-12"	11' 1 1/2"	2-48" 1-24"
84 3/4"	1-24" 1-18"	15' 10"	3-48" 1-24" 1-12"
92 1/2"	1-48"	20' 10"	5-48"

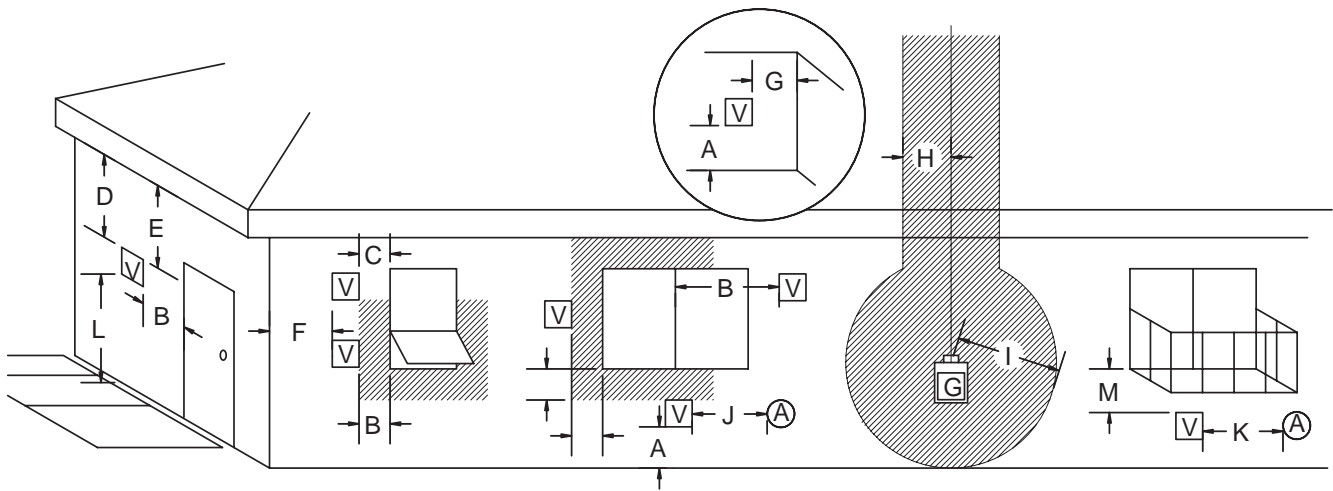
\*\* All dimensions are approximate. Both rise and run may vary with different combinations of pipe.

**For reference only. Consult Manual before installation**

# Vent Terminal Minimum Clearances

Minimum clearances to the vent terminal must be maintained as shown below. Measure clearances to the nearest edge of termination hood.

**NOTE: Vent terminal must not be recessed into a wall or siding.**



☐ VENT TERMINAL

Ⓐ AIR SUPPLY INLET

▨ AREA WHERE TERMINAL IS NOT PERMITTED

Ⓜ GAS METER

- A= clearances above grade, veranda, porch, deck, or balcony [\* 12 inches (30 cm) minimum]
- B= clearance to window or door that may be opened [\* 12 inches (30 cm) minimum]
- C= clearance to permanently closed window [minimum 12 inches (30 cm) recommended to prevent condensation on window]
- D= vertical clearance to ventilated soffit located above the terminal within a horizontal distance of 2 feet (60 cm) from the edge of the terminal [30 inches (76 cm) minimum]
- E= clearance to unventilated soffit [30 inches (76 cm) minimum]
- F= clearance to outside corner [6 inches (15 cm) minimum]
- G= clearance to inside corner [6 inches (15 cm) minimum]
- H= \* not to be installed above a meter/regulator assembly within 3 feet (90 cm) horizontally from the center-line of the regulator

- I= clearance to service regulator vent outlet [\* 6 feet (1.8 m) minimum]
- J= clearance to nonmechanical air supply inlet to building or the combustion air inlet to any other appliance [\* 12 inches (30 cm) minimum]
- K= clearance to a mechanical air supply inlet [\* 6 feet (1.8 m) minimum]
- L= ^ clearance above paved side-walk or a paved driveway located on public property [\* 7 feet (2.1 m) minimum]
- M= clearance under veranda, porch, deck, or balcony [30 inches (76 cm) minimum\*\*]

^ a vent shall not terminate directly above a side-walk or paved driveway which is located between two single family dwellings and serves both dwellings\*

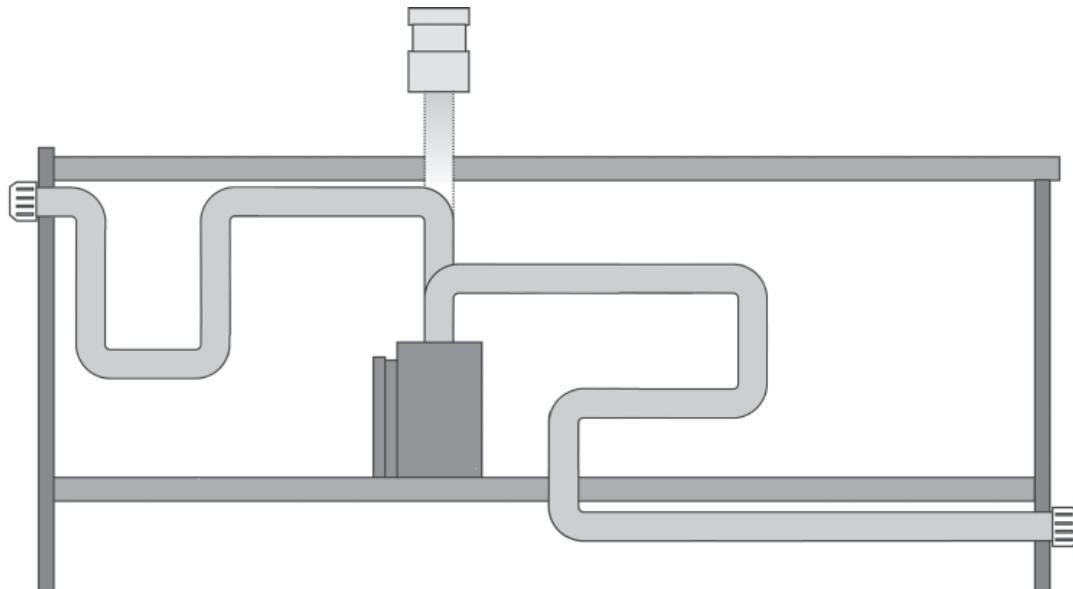
\*\* only permitted if veranda, porch, deck, or balcony is fully open on a minimum of 2 sides beneath the floor\*

\* as specified in CGA B149 Installation Codes, Note: local Codes or Regulation may require different clearances

\* for U.S.A. Installations follow the current National Fuel Gas Code, ANSI Z223.1

**For reference only. Consult Manual before installation**

## Power Vent



Reach almost any room or commercial setting. Optional Power Venting allows runs up to 66' from an outside wall or roof surface. Vent horizontally or vertically with up to six 90-degree elbows, including runs up to 3' below the fireplace.



The premium Power Vent fan runs quietly outside, at the exterior terminal

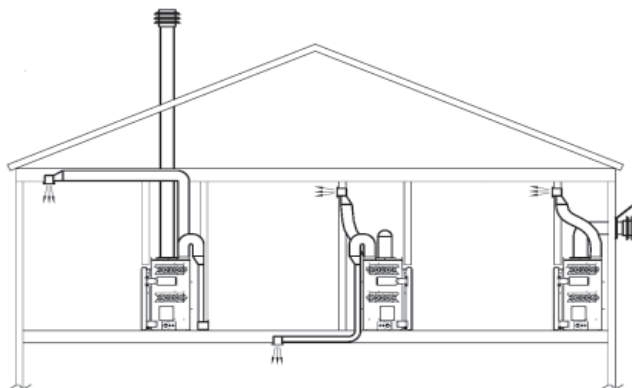
**TCVT.PVB-Architect.dxf**  
Available on CD ROM  
and [www.townandcountryfireplaces.net](http://www.townandcountryfireplaces.net)

## Remote Heat Kit

Transfer heat to a room adjacent to, above or below the fireplace. Up to two optional Remote Heat Kits can be installed on each Town & Country Fireplace.



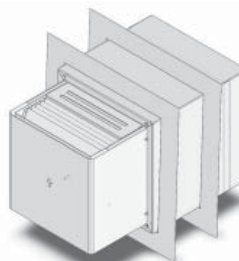
**TC.RHKA-Architect.dxf**  
Available on CD ROM  
and [www.townandcountryfireplaces.net](http://www.townandcountryfireplaces.net)



## Stainless Steel Vent Terminal

The T&C Stainless Steel Vent Terminal is intended for use in climates that warrant stainless steel construction as well as in hard to reach places. The two-phase installation allows the sleeve to be installed during the construction phase, while the terminal can be installed from the inside of the structure at the same time as the fireplace.

The terminal kit is suitable for both residential and commercial installation.



**TCVT.SSWTA-Architect.dxf**  
Available on CD ROM  
and [www.townandcountryfireplaces.net](http://www.townandcountryfireplaces.net)

**For reference only. Consult Manual before installation**



TOWN & COUNTRY  
FIREPLACES™

Web: [www.townandcountryfireplaces.net](http://www.townandcountryfireplaces.net)  
Phone: 1-877-715-2664  
2975 Allenby Road, Duncan, BC Canada V9L 6V8