

Fireplace and Venting Specifications

for
architects
&
designers

IMPORTANT

This booklet is intended as a basic specification guide for architects, designers and builders. Please refer to the Instruction Manual supplied with the fireplace for detailed information regarding installation and operation.

Product installation manuals can also be viewed at:
www.townandcountryfireplaces.com



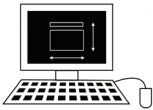
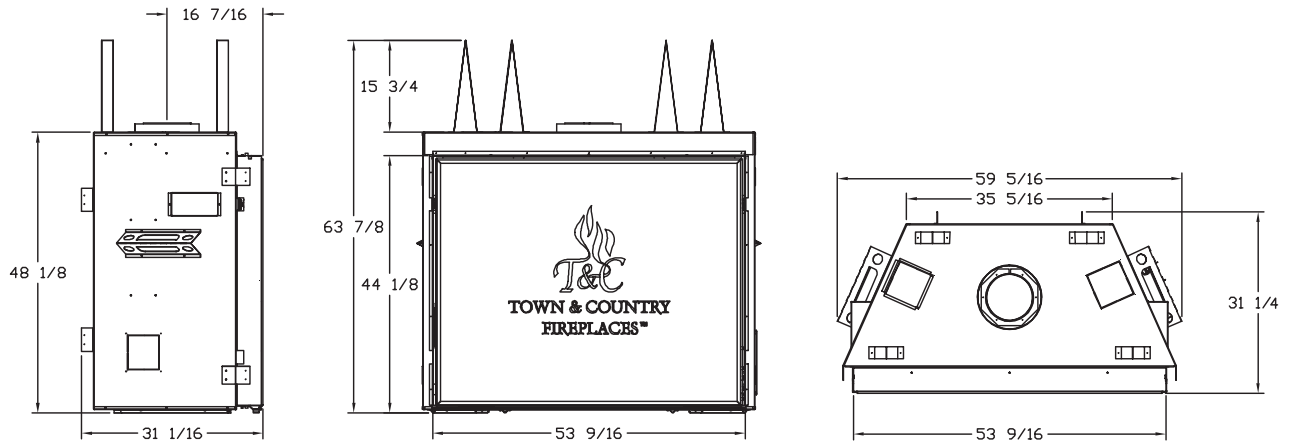
TOWN & COUNTRY
LUXURY FIREPLACES™

TC54.CE2
Series C



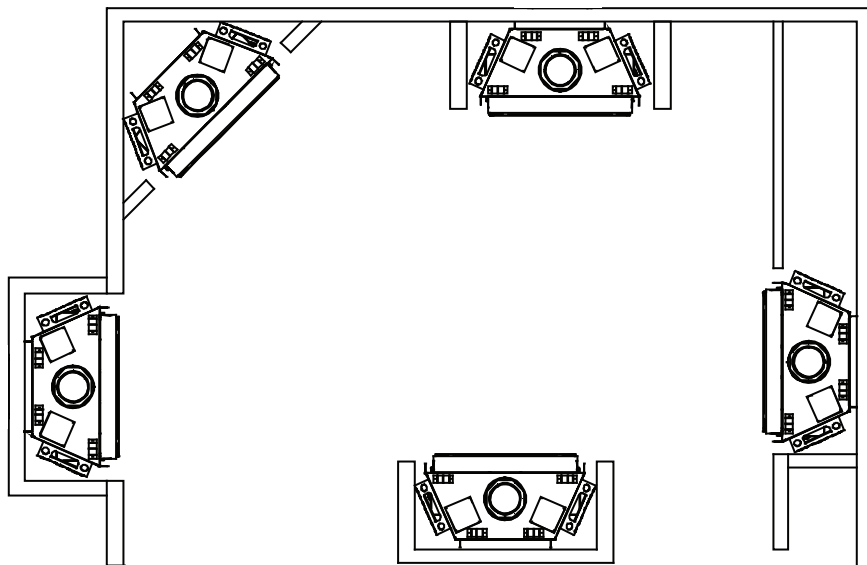
Model TC54 Series C

Fireplace Dimensions



TC54.CE Cad Drawing
Available at
www.townandcountryfireplaces.com

Examples of Common Locations



For reference only. Consult Manual before installation

Mantel Clearance Chart

COMBUSTIBLE FRAMING AND FINISH WALL ABOVE STANDOFFS

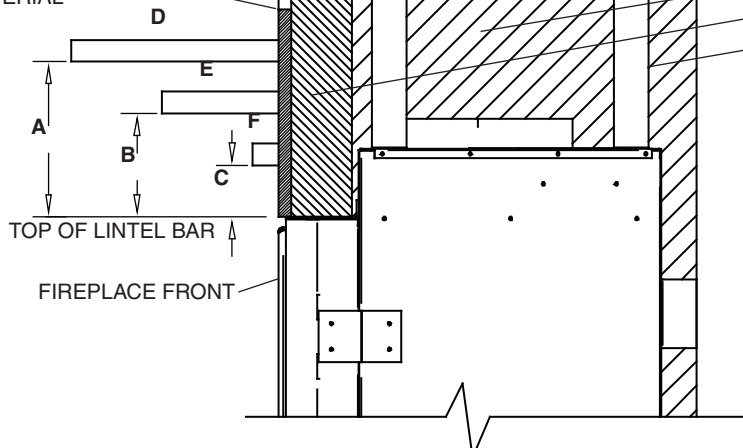
STEEL FRAMING

NON-COMBUSTIBLE ZONE. DO NOT INSTALL ANY COMBUSTIBLE MATERIAL, ELECTRICAL WIRING OR GAS PLUMBING IN THIS AREA.

STANDOFFS

MAY USE COMBUSTIBLE FACING MATERIAL IN THIS AREA

NON-COMBUSTIBLE FINISH MATERIAL SEE FIG #7



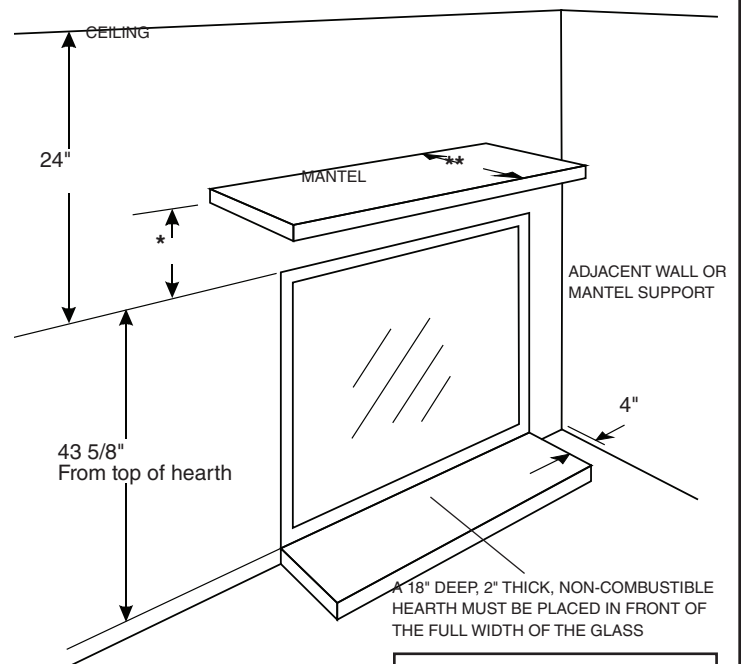
MANTEL CLEARANCE CHART

* MANTEL CLEARANCE

| | |
|------------------------|-----|
| A | 17" |
| B | 15" |
| C | 12" |
| ** MANTEL DEPTH | |
| D | 12" |
| E | 6" |
| F | 1" |

Minimum Clearances to Combustibles

| | | |
|---------------------------------|------------|----------|
| Side standoffs..... | 0 in. | (0 mm) |
| Back standoffs..... | 0 in. | (0 mm) |
| Top standoffs..... | 0 in. | (0 mm) |
| Bottom of appliance..... | 0 in. | (0 mm) |
| Adjacent side wall..... | 4 in. | (102 mm) |
| Ceiling to appliance..... | 24 in. | (610 mm) |
| *Mantel to appliance..... | See above | |
| **Maximum Mantel extension..... | See above | |
| Mantel support..... | 4 in. | (102 mm) |
| Vertical vent pipe..... | 1 3/4" in. | (45 mm) |
| Horizontal vent pipe | | |
| (Top, sides and bottom.....) | 1 3/4" in. | (45 mm) |



SEE HEARTH EXTENSION ON PAGE 5 FOR DETAILS

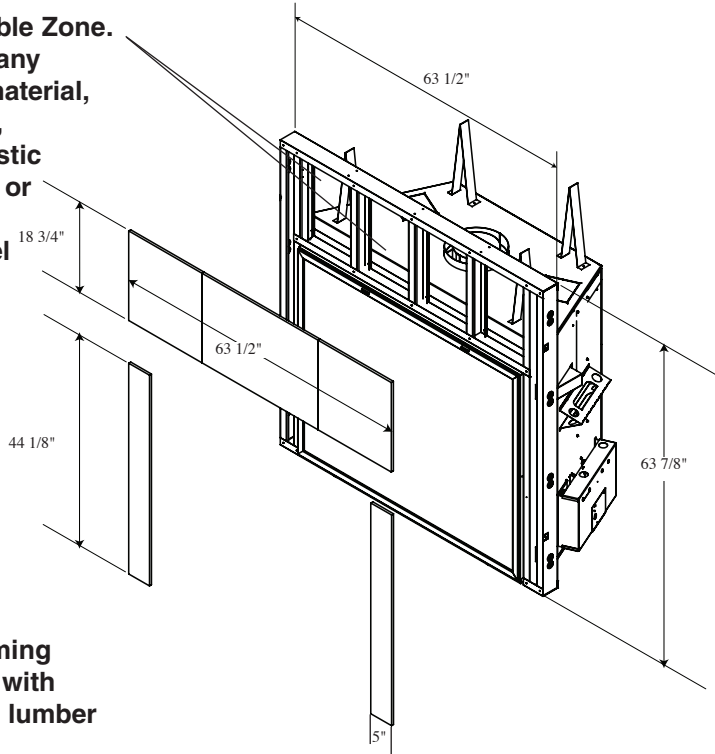
UNIT MAY BE RECESSED UP TO 6" WITH NON-COMBUSTIBLE MASONRY TYPE MATERIAL

For reference only. Consult Manual before installation

Steel Stud Framing Kit Dimensions

Kit supplied with unit

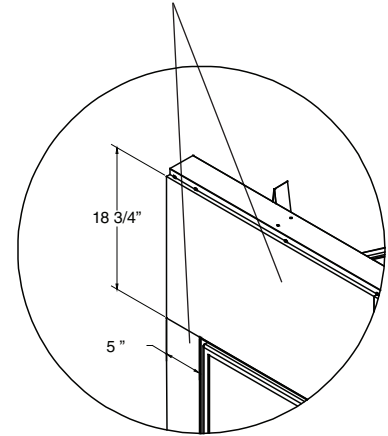
Non-combustible Zone.
Do not install any combustible material, electric wiring, insulation, plastic vapour barrier or gas plumbing within the steel stud frame.



All other framing can be done with conventional lumber

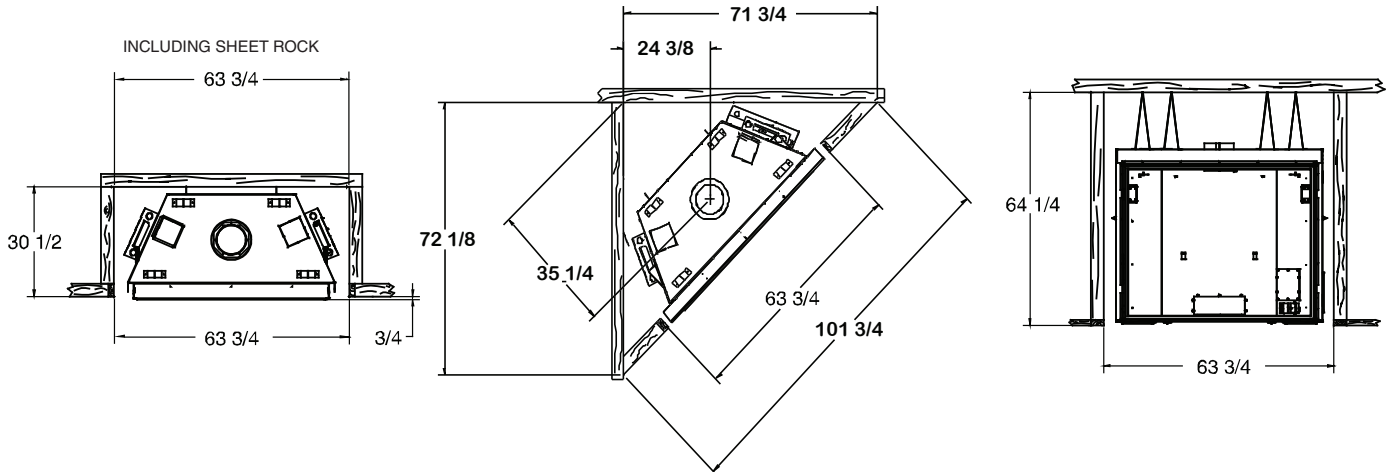
Non-combustible Board Detail

NON-COMBUSTIBLE BOARD



Non-combustible board (or other non-combustible material) must extend 18 3/4" above and 5" to the sides of the framing edges.

Minimum Combustible Framing Dimensions



NOTE: Fireplace should be in its final location before framing.

For reference only. Consult Manual before installation

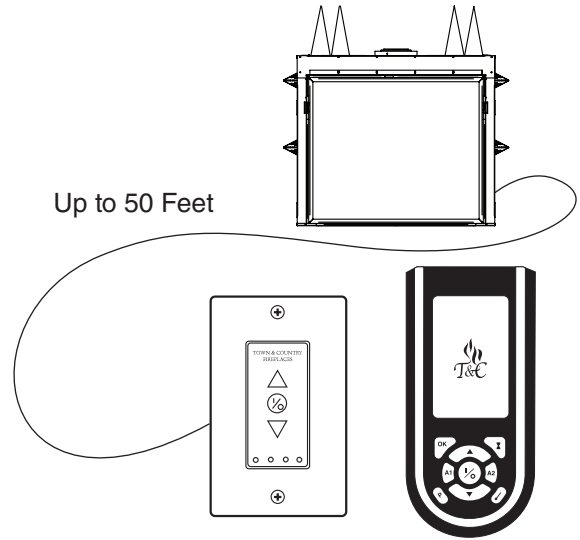
Maestro Control System

Town and Country C Series fireplaces include our award winning Maestro controls.

They include an elegant, programmable remote control with a count-down timer, weekday/weekend on/off timer, manual control and thermostat mode (where permitted), and an easy to read LCD display.

They also come with a small, wall-mounted control which permits on/off operation, flame modulation and houses the battery back-up system for operation during power outages.

Maestro controls use an on-demand electronic ignition system, a green alternative to standing pilots, which can cut your annual fuel consumption up to 74%.

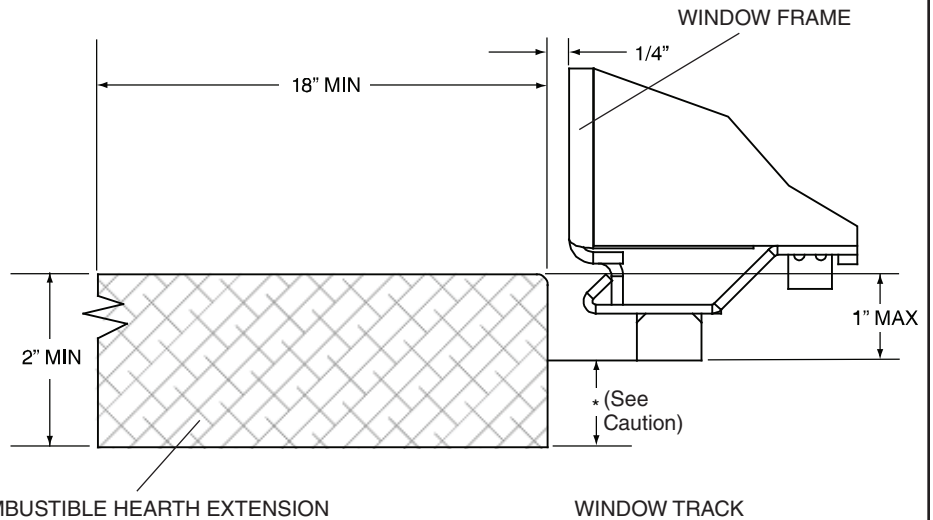


Hearth Extension

*** Caution:**

A minimum 2" thick non-combustible hearth extension extending 18" in front of this fireplace must be fitted if a combustible sub floor extends in front of the fireplace. To ensure that the hearth does not interfere with the window frame the fireplace must be raised to ensure that the hearth extension is no more than 1" above the bottom of the fireplace.

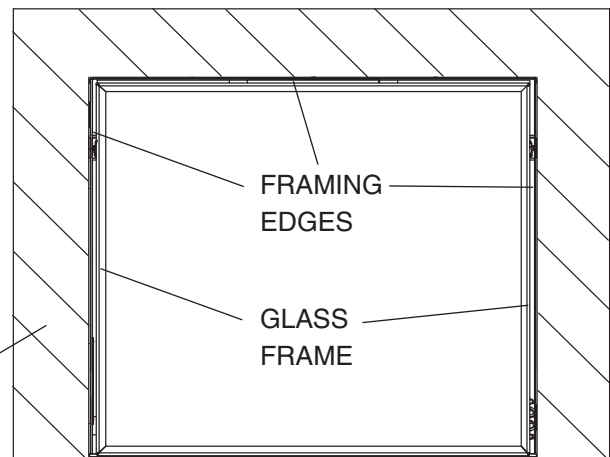
The fireplace can be raised using combustible or non-combustible materials ensuring that it is fully supported along the full width and depth of the fireplace.



Side Facing Clearances

Caution: This fireplace may be recessed up to a maximum depth of 6". This recess must be constructed from non-combustible material. The space between the outside framing edge and the firebox must be completely free of any obstructions or debris, and the window, with trim fitted, must be able to move freely. No building material is permitted to protrude past the framing edges attached to the fireplace under ANY circumstance.

NON-COMBUSTIBLE
FINISH MATERIAL



For reference only. Consult Manual before installation

Roof Termination Venting Chart

Various combinations of vent runs may be used. Refer to diagram on right.

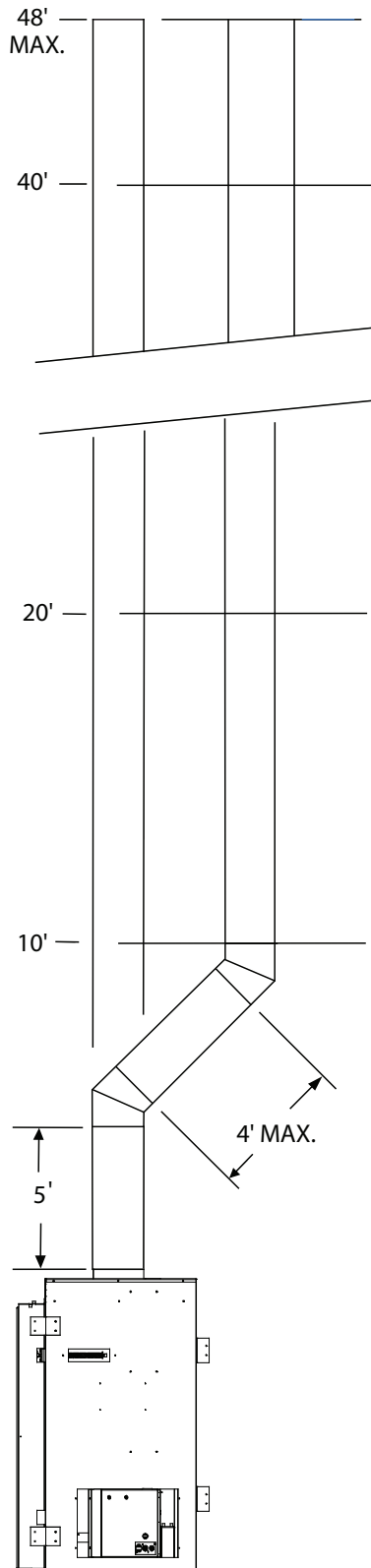
For optimum performance and flame appearance, keep the vent length to a minimum and limit the number of elbows.

Connections between each vent system component must be tightly joined, secured with sheet metal screws and sealed.

MINIMUM TOTAL VENT HEIGHT WITH PROPANE 20'

MINIMUM TOTAL VENT HEIGHT WITH NATURAL GAS 10'

MINIMUM 5' OF VERTICAL PIPE REQUIRED BEFORE FIRST ELBOW.

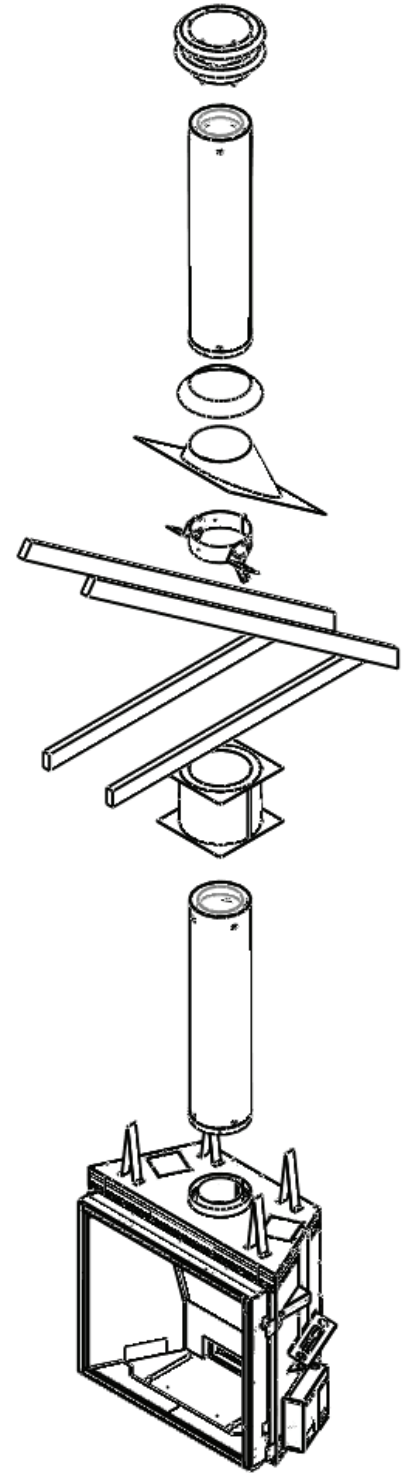


CAUTION:

Under no condition should combustible material be closer than 1 3/4 inches from any part of the vent pipe.

Only 45° elbows can be used in this vent system. Maximum number of elbows is 2.

Direct Vent Roof Installation



For reference only. Consult Manual before installation

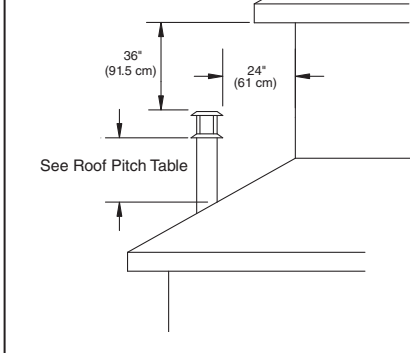
Vent Terminal Clearances

Minimum clearances to the vent terminal must be maintained as shown (See illustration to right). Measure clearances to the nearest edge of termination hood. (See pitch table below).

NOTE: Vent terminal must not be recessed

NOTE: LOCAL CODES OR REGULATIONS MAY REQUIRE DIFFERENT CLEARANCES.

VENT TERMINAL MINIMUM CLEARANCES TO ADJACENT STRUCTURES



Terminal to sloped Roof Pitch Table

| | (minimum) | |
|---------------------|-----------|------|
| | ft | m |
| Flat to 6/12 | 1.00 | 0.30 |
| Over 6/12 to 7/12 | 1.25 | 0.38 |
| Over 7/12 to 8/12 | 1.50 | 0.46 |
| Over 8/12 to 9/12 | 2.00 | 0.61 |
| Over 9/12 to 10/12 | 2.50 | 0.76 |
| Over 10/12 to 11/12 | 3.25 | 0.99 |
| Over 11/12 to 12/12 | 4.00 | 1.22 |

Horizontal Termination Venting

A High Capacity Power Vent System must be used for all horizontally vented TC54 units.

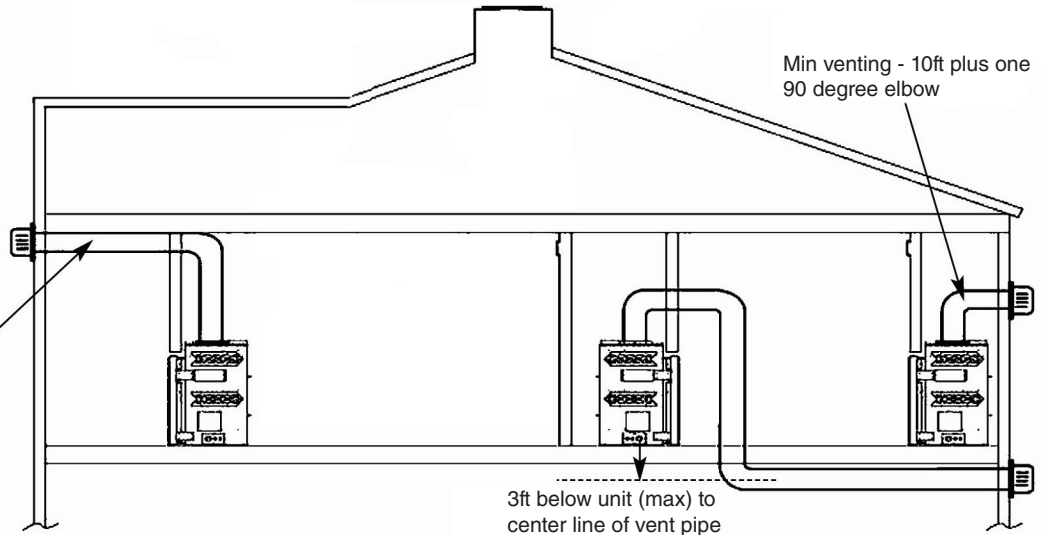
Maximum vent length for a horizontal termination is 66 ft plus six 90 degree elbows or combination of other elbows equaling 90 degrees.

Minimum vent length is 10 ft plus one 90 degree elbow.

The vent can be installed with any combination of rise and run between the above figures, including 3ft below the unit.

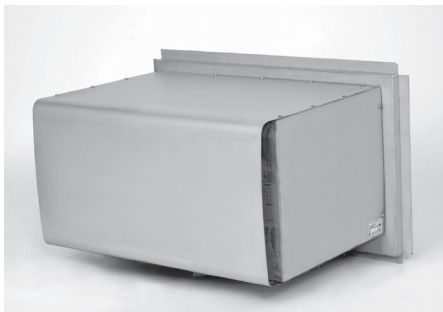
Ensure that the vent pipe is properly supported.

Maximum venting - 66ft plus six 90 degree elbows



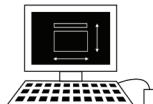
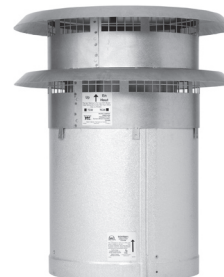
Power Vent Terminal

Wall Termination



Direct Vent Terminal

Standard Venting Roof Termination



Cad Drawings available at www.townandcountryfireplaces.com

For reference only. Consult Manual before installation



TOWN & COUNTRY
LUXURY FIREPLACES™

For personal service pertaining to specific projects, contact:

Town & Country Architect Resource Planner

architects@pacificenergy.net

Web: www.townandcountryfireplaces.com

Phone: (250) 748-1184

Toll Free: 1-877-715-2664

2975 Allenby Road, Duncan, BC Canada V9L 6V8

Printed in Canada