

Fireplace and Venting Specifications

for
architects
&
designers

IMPORTANT

This booklet is intended as a basic specification guide for architects, designers and builders. Please refer to the Instruction Manual supplied with the fireplace for detailed information regarding installation and operation.

Product installation manuals can also be viewed at:
www.townandcountryfireplaces.com



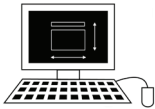
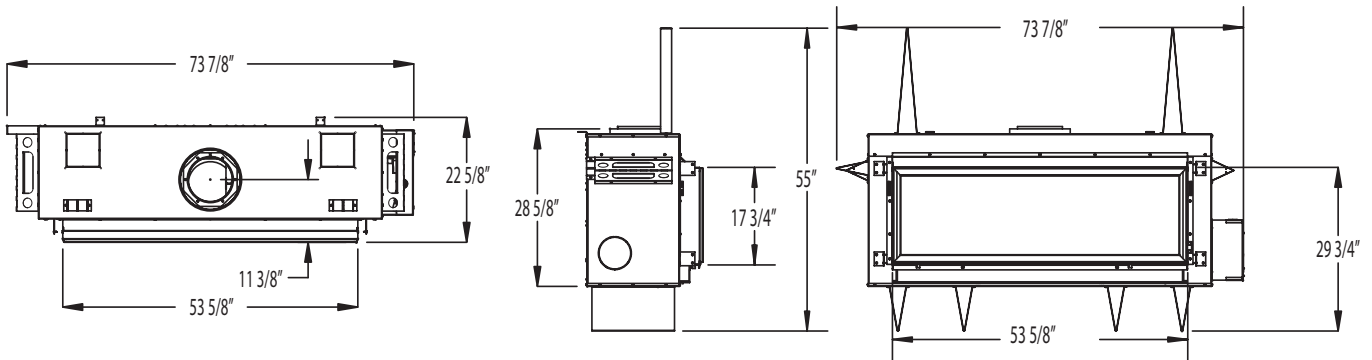
TOWN & COUNTRY
LUXURY FIREPLACES™

TCWS.54CE2 Series C MODULAR DIRECT VENT FIREPLACE



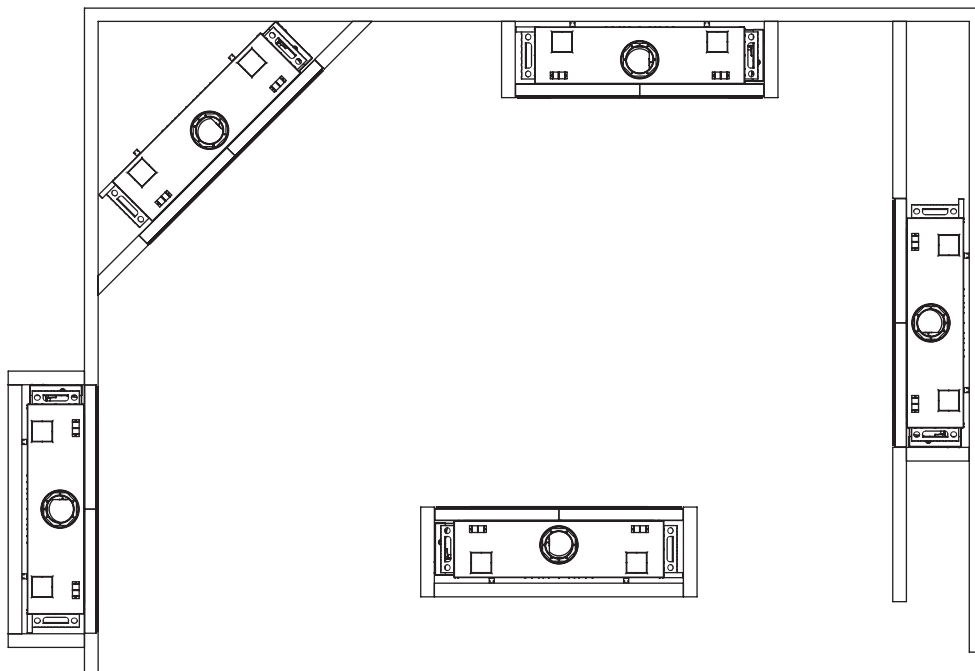
Model TCWS.54CE Series C

Fireplace Dimensions



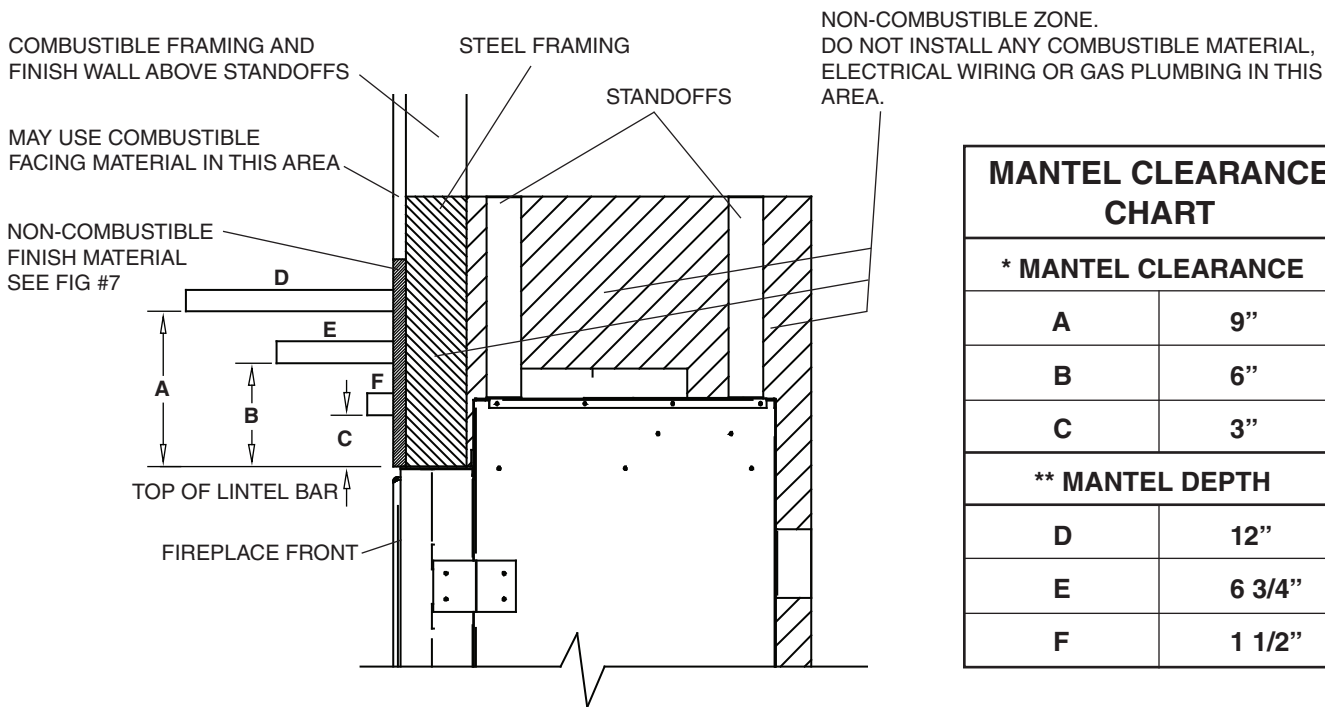
TCWS.54.CE Cad Drawing
Available at
www.townandcountryfireplaces.net

Examples of Common Locations



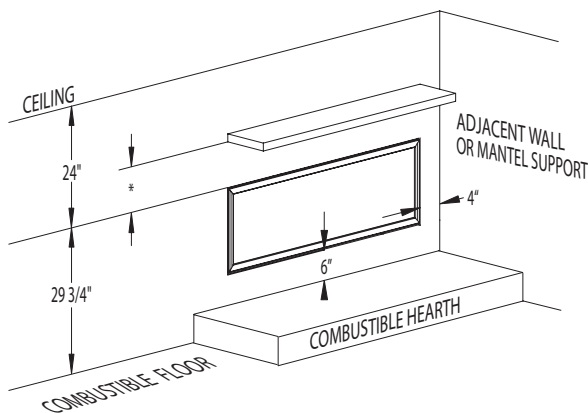
For reference only. Consult Manual before installation

Mantel Clearance Chart



MANTEL CLEARANCE CHART	
* MANTEL CLEARANCE	
A	9"
B	6"
C	3"
** MANTEL DEPTH	
D	12"
E	6 3/4"
F	1 1/2"

Minimum Clearances to Combustibles



UNIT MAY BE RECESSED UP TO 6" WITH NON-COMBUSTIBLE MASONRY TYPE MATERIAL

Minimum Clearances:

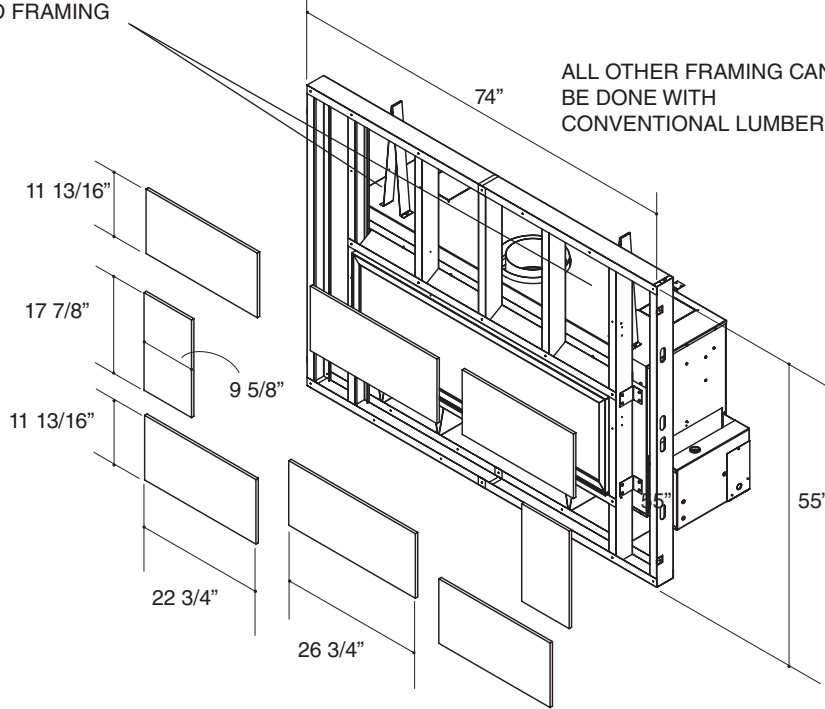
Side standoffs	0 in.	(0 mm)
Back standoffs	0 in.	(0 mm)
Top standoffs	0 in.	(0 mm)
Bottom of appliance	0 in.	(0 mm)
Adjacent side wall	4 in.	(102 mm)
Ceiling to appliance	24 in.	(610 mm)
*Mantel to appliance	See Figure #2	
**Maximum Mantel extension	See Figure #2	
Mantel support	4 in.	(102 mm)
Vertical vent pipe	1 3/4 in.	(45 mm)

For reference only. Consult Manual before installation

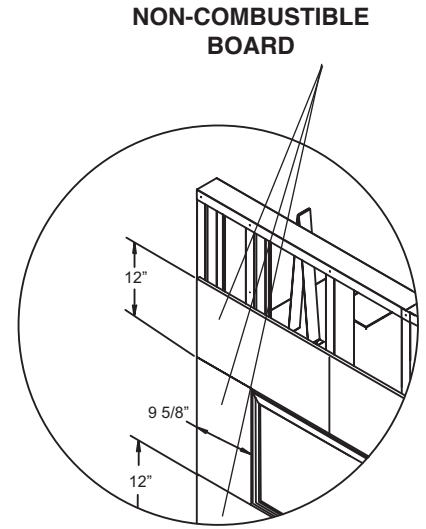
Steel Stud Framing Kit Dimensions

Kit supplied with unit

NON-COMBUSTIBLE ZONE. DO NOT INSTALL ANY COMBUSTIBLE MATERIAL, ELECTRICAL WIRING, INSULATION, PLASTIC VAPOR BARRIER OR GAS PLUMBING WITHIN THE STEEL STUD FRAMING

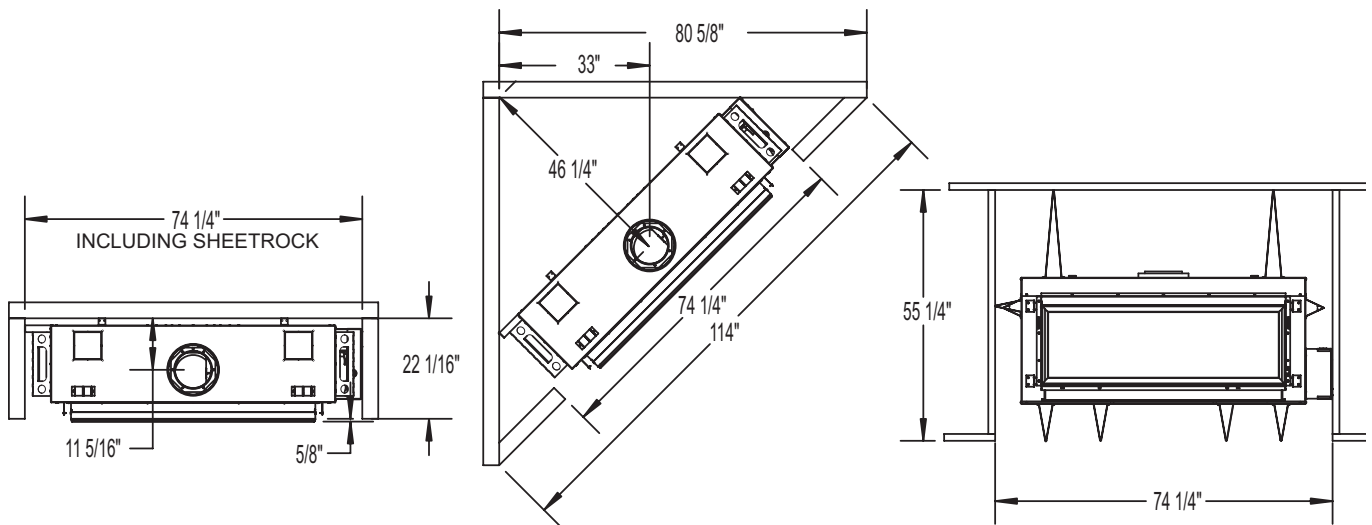


Non-combustible Board Detail



Concrete board (or other non-combustible material) must extend 12" above and 4.5" to the sides of the framing edges.

Minimum Combustible Framing Dimensions



NOTE: Fireplace should be in its final location before framing.

For reference only. Consult Manual before installation

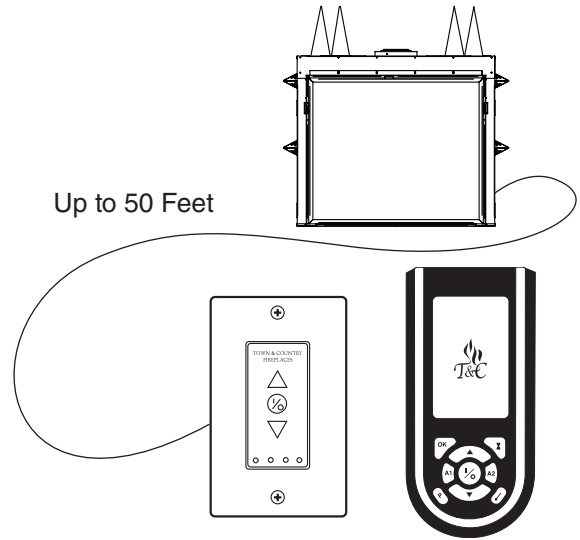
Maestro Control System

Town and Country C Series fireplaces include our award winning Maestro controls.

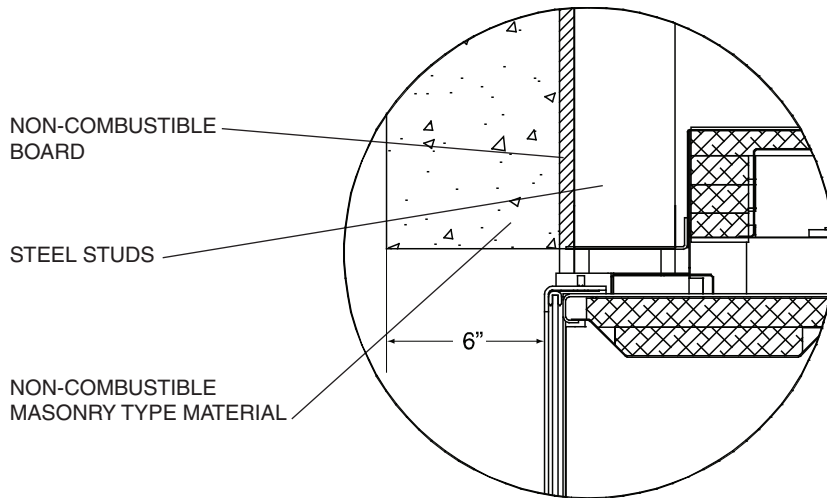
They include an elegant, programmable remote control with a count-down timer, weekday/weekend on/off timer, manual control and thermostat mode (where permitted), and an easy to read LCD display.

They also come with a small, wall-mounted control which permits on/off operation, flame modulation and houses the battery back-up system for operation during power outages.

Maestro controls use an on-demand electronic ignition system, a green alternative to standing pilots, which can cut your annual fuel consumption up to 74%.

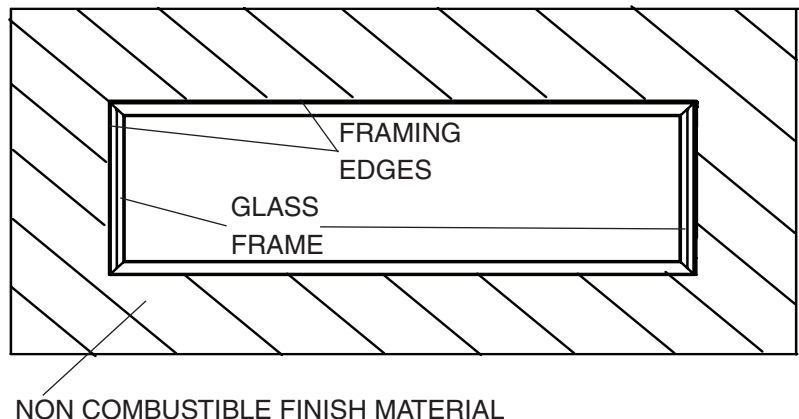


Non-combustible Recessed Installation Detail



Side Facing Clearances

Caution: This fireplace may be recessed up to a maximum depth of 6". This recess must be constructed from non-combustible material. The space between the outside framing edge and the firebox must be completely free of any obstructions or debris, and the window, with trim fitted, must be able to move freely. No building material is permitted to protrude past the framing edges attached to the fireplace under ANY circumstance.



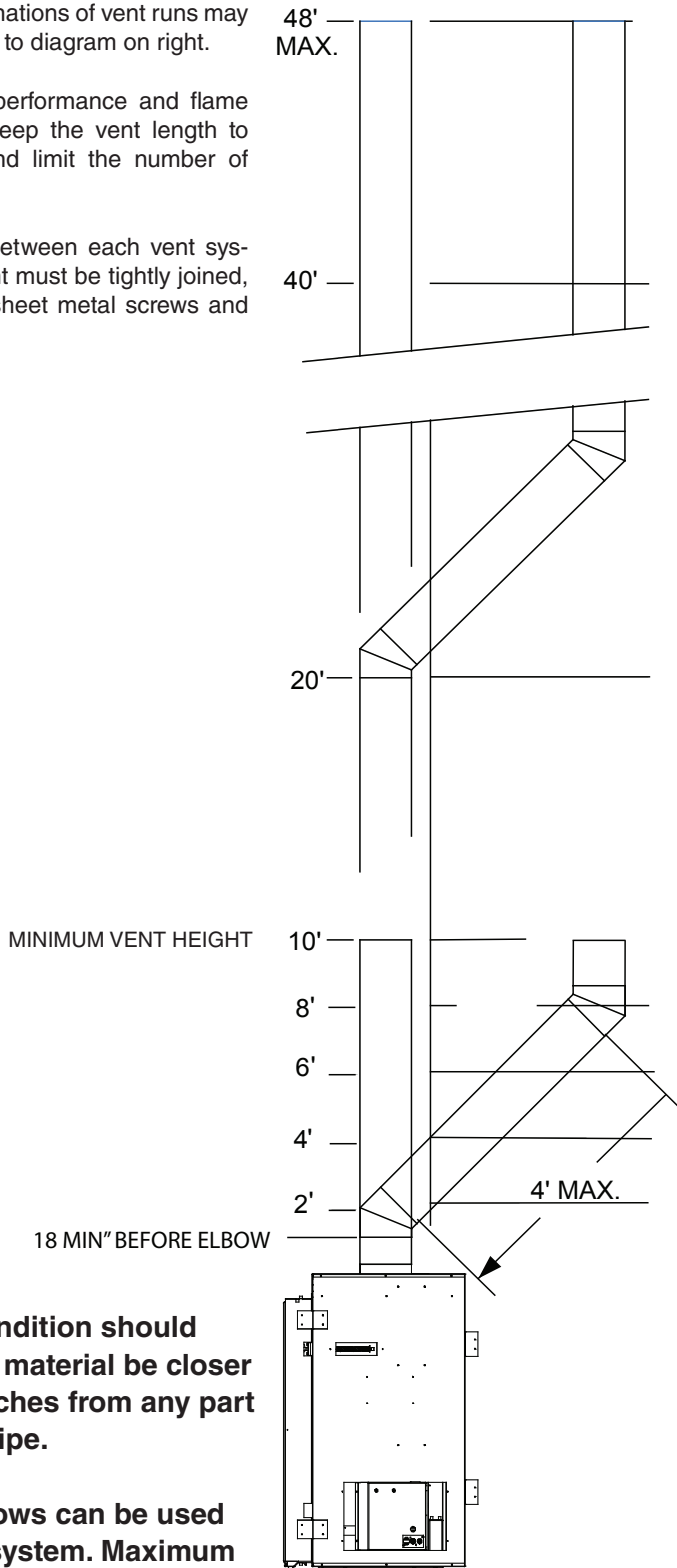
For reference only. Consult Manual before installation

Roof Termination Venting Chart

Various combinations of vent runs may be used. Refer to diagram on right.

For optimum performance and flame appearance, keep the vent length to a minimum and limit the number of elbows.

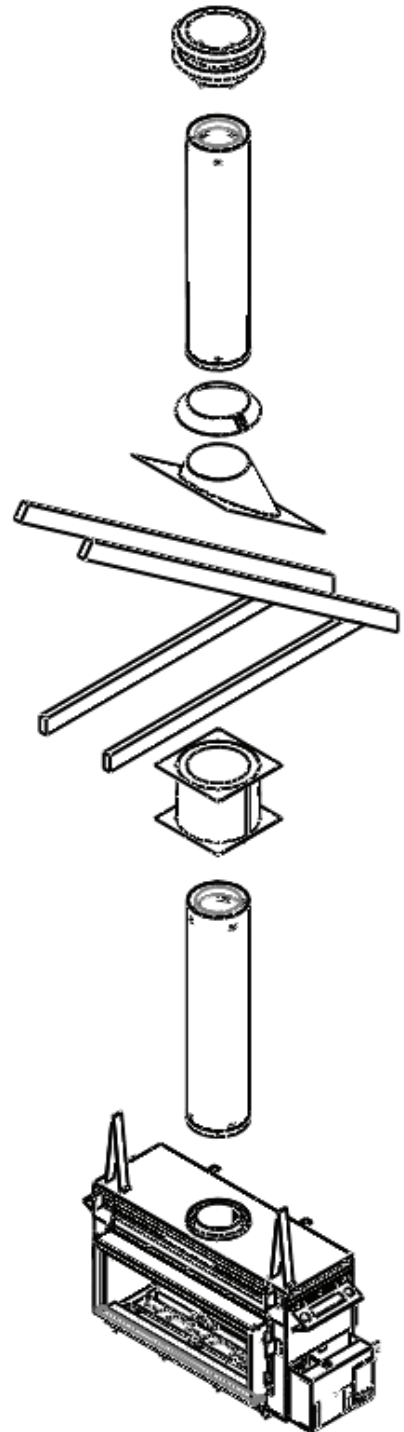
Connections between each vent system component must be tightly joined, secured with sheet metal screws and sealed.



CAUTION:
Under no condition should combustible material be closer than 1 3/4 inches from any part of the vent pipe.

Only 45° elbows can be used in this vent system. Maximum number of elbows is 2.

Direct Vent Roof Installation

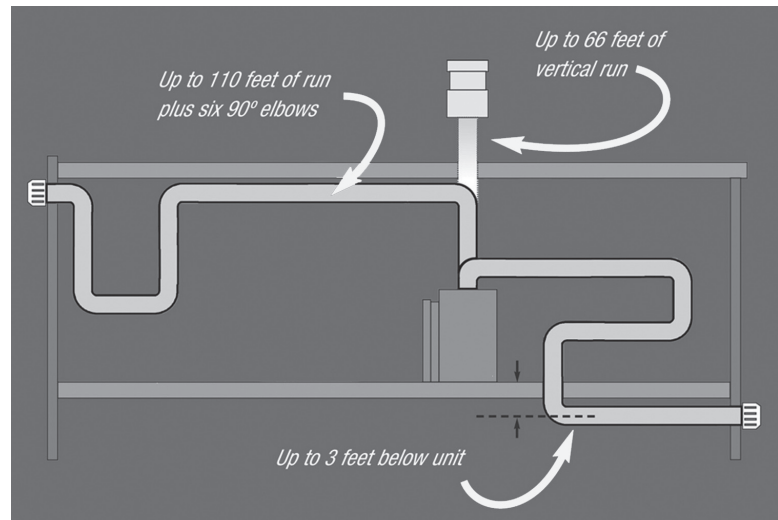


For reference only. Consult Manual before installation

Optional Power Vent

Reach almost any room or commercial setting. Optional Power Venting allows runs up to 110' from an outside wall or roof surface. Vent horizontally or vertically with up to six 90-degree elbows, including runs up to 3' below the fireplace.

The premium Power Vent fan runs quietly outside, at the exterior terminal.

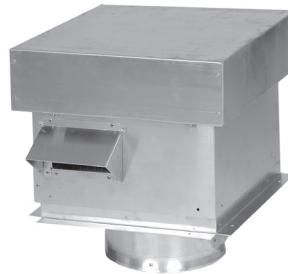


Power Vent Terminals

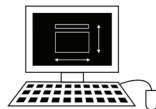
Wall Termination



Roof Termination



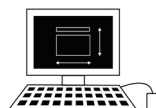
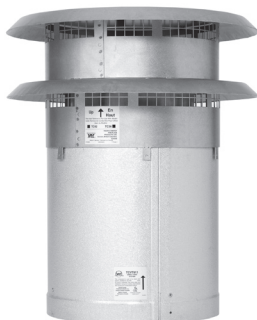
Flush Mount Horizontal Termination



Cad Drawings available at www.townandcountryfireplaces.com

Direct Vent Terminal

Standard Venting
Roof Termination



Cad Drawings available at www.townandcountryfireplaces.com



TOWN & COUNTRY
LUXURY FIREPLACES™

For personal service pertaining to specific projects, contact:

Town & Country Architect Resource Planner

architects@pacificenergy.net

Web: www.townandcountryfireplaces.com

Phone: (250) 748-1184

Toll Free: 1-877-715-2664

2975 Allenby Road, Duncan, BC Canada V9L 6V8

Printed in Canada