

**IMPORTANT:
THESE INSTRUCTIONS ARE TO REMAIN
WITH THE HOMEOWNER**

WARNING: If the information in this manual is not followed exactly, a fire or explosion may result causing property damage, personal injury or loss of life.

FOR YOUR SAFETY

Installation and service must be performed by a qualified installer, service agency or the gas supplier.

WHAT TO DO IF YOU SMELL GAS

- Do not try to light any appliance.
- Do not touch any electrical switch;
- Do not use any phone in your building.
- Immediately call your gas supplier from a neighbour's phone. Follow the gas supplier's instructions.
- If you cannot reach your gas supplier call the fire department.

Do not store or use gasoline or other flammable vapors and liquids in the vicinity of this or any other appliance.

This appliance may be installed in an aftermarket permanently located, manufactured home (USA only) or mobile home, where not prohibited by local codes.

This appliance is only for use with the type of gas indicated on the rating plate. This appliance is not convertible for use with other gases, unless a certified kit is used.

This appliance is suitable for installation in a bedroom or bed sitting room



**TOWN & COUNTRY
FIREPLACES™**

TC54 INSTALLATION AND OPERATING INSTRUCTIONS



**MODEL
TC54
SERIES C
MODULAR DIRECT VENT
FIREPLACE**

Table of Contents

Caution	3
Safety	3
Fireplace Dimensions	5
Minimum Clearances to Combustible Material	5
Installation Requirements	6
Manufactured (Mobile) Home	6
Window Frame Removal	6
Top Standoffs	7
Locating The Fireplace	7
Framing and Finishing	8
Steel Stud Framing Kit.....	10
Hearth Extension	12
Maestro Control	13
– Plumbing and Electrical	13
Gas Supply	15
Gas Pressure Check	15
Horizontal Termination Venting	16
(Power Vented).....	16
Vertical Termination Venting	16
Roof Termination Venting Chart.....	17
Vent Terminal Clearance.....	20
Vent Restrictor Adjustment.....	21
Firebox Panels Installation	22
Finishing Touch Trim Kit Instructions	23
Lighting Instructions.....	24
First Fire	24
Maestro Control System.....	25
Remote Control Initial Setup.....	25
Maestro Control System - Operation	26
APPENDIX	
Maintenance	29
Replacement Parts	30
Replacement Parts – Maestro Control System	31
Wiring Diagram.....	32
Roof Termination Kit	33
Vent Pipe Dimensions	34
Vent Offset Chart.....	34
Safety Label Location	35

Caution

FOR YOUR SAFETY - Do not install or operate your Town & Country fireplace without first reading and understanding this manual. Any installation or operational deviation from the following instructions voids the Town & Country Fireplaces™ Warranty and may prove hazardous.

This appliance and its individual shut off valve must be disconnected from gas supply piping system during any pressure testing of that system at test pressures in excess of 1/2 psig (3.5 kPa).

This appliance must be isolated from the gas supply piping system by closing its individual manual shut off valve during any pressure testing of the gas supply piping system at test pressures equal to or less than 1/2 psig (3.5 kPa).

Note: When lit for the first time, the appliance will emit a slight odour for a couple of hours. This is due to the curing of paints, sealants and lubricants used in the manufacturing process. This condition is temporary. Open doors and windows to ventilate area. Smoke and fumes caused by the curing process may cause discomfort to some individuals.

Do not use the fireplace if any part has been under water. Immediately call a qualified service technician to inspect the fireplace and to replace any part of the control system and any gas control which has been under water.

Safety

Due to high temperatures, this gas appliance should be located out of traffic and away from furniture and draperies.

Children and adults should be alerted to the hazards of high surface temperatures and should stay away to avoid burns or clothing ignition.

Young children should be carefully supervised when they are in the same room as the appliance.

Clothing or other flammable material should not be placed on or near the appliance.

Any grill, panel or door removed for servicing the unit must be replaced prior to operating. Failure to do so may create a hazardous condition.

Installation and repair should be done by a qualified service person. The appliance should be inspected before use and at least annually by a professional service person. More frequent cleaning may be required due to excessive lint from carpeting, bedding material, etc.. It is imperative that control compartments, burners and circulating air passageways of the appliance be kept clean.

It is our policy that no responsibility is assumed by the Company or by any of its employees or representatives for any damages caused by an inoperable, inadequate, or unsafe condition which is the result, either directly or indirectly, of any improper operation or installation procedures.

This appliance must not be connected to a chimney flue serving a separate solid fuel burning appliance.

Important Note for the Commonwealth of Massachusetts:

From Massachusetts Rules and Regulations 248 CMR 5.08:

(a) For all side wall horizontally vented gas fuelled equipment installed in every dwelling, building or structure used in whole or in part for residential purposes, including those owned or operated by the Commonwealth and where the side wall exhaust vent termination is less than seven (7) feet above finished grade in the area of the venting, including but not limited to decks and porches, the following requirements shall be satisfied.

1. **INSTALLATION OF CARBON MONOXIDE DETECTORS.** At the time of installation of the side wall horizontal vented gas fuelled equipment, the installing plumber or gas fitter shall observe that a hard wired carbon monoxide detector with an alarm and battery back-up is installed on the floor level where the gas equipment is to be installed, in addition, the installing plumber or gas fitter shall observe that a battery operated or hard-wired carbon monoxide detector with an alarm is installed on each additional level of the dwelling, building or structure served by the side wall horizontal vented gas fuelled equipment. It shall be the responsibility of the property owner to secure the services of qualified licensed professionals for the installation of hard-wired carbon monoxide detectors.

a. In the event that the side wall horizontally vented gas fuelled equipment is installed in a crawl space or an attic, the hard-wired carbon monoxide detector with alarm and battery back-up may be installed on the next adjacent floor level.

b. In the event that the requirements of this subdivision cannot be met at the time of completion of installation, the owner shall have a period of thirty (30) days to comply with the above requirements; provided, however, that during said thirty (30) day period, a battery operated carbon monoxide detector with an alarm shall be installed.

2. **APPROVED CARBON MONOXIDE DETECTORS.** Each carbon monoxide detector as required in accordance with the above provisions shall comply with NFPA 720 and be ANSI/UL 2034 listed as IAS certified.

3. **SIGNAGE.** A metal or plastic identification plate shall be permanently mounted to the exterior of the building at a minimum height of eight (8) feet above grade directly in line with the exhaust vent terminal for the horizontally vented gas fuelled heating appliance or equipment. The sign shall read, in print size no less than one-half (1/2) inch in size, "GAS VENT DIRECTLY BELOW. KEEP CLEAR OF ALL OBSTRUCTIONS".

4. **INSPECTION.** The state or local gas inspector of the side wall horizontally vented gas fuelled equipment shall not approve the installation unless, upon inspection, the inspector observes carbon monoxide detectors and signage installed in accordance with the provisions of 248 CMR 5.089(2)(a) 1 through 4.

(b) **EXEMPTIONS.** The following equipment is exempt from 248 CMR 5.089(2)(a) 1 through 4.

1. The equipment listed in Chapter 10 entitled "Equipment Not Required To Be Vented" in the most current edition of NFPA 54 as adopted by the Board; and
2. Product Approved side wall horizontal vented gas fuelled equipment installed in a room or structure separate from the dwelling, building or structure used in whole or in part for residential purposes.

(c) **MANUFACTURER REQUIREMENTS – GAS EQUIPMENT VENTING SYSTEM PROVIDED.** When the manufacturer of Product Approved side wall horizontally vented gas equipment provides a venting system design or venting system components with the equipment, the instructions provided by the manufacturer for installation of the equipment and the venting system shall include:

1. Detailed instructions for the installation of the venting system design or the venting system components; and
2. A complete parts list for the venting system design or venting system.

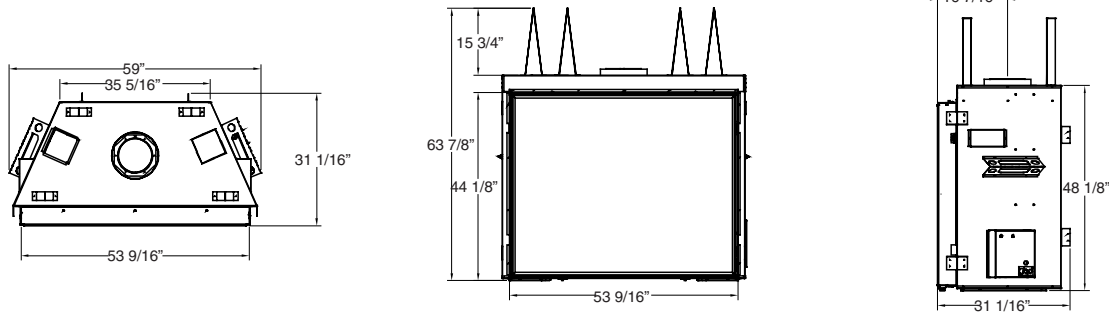
(d) **MANUFACTURER REQUIREMENTS – GAS EQUIPMENT VENTING SYSTEM NOT PROVIDED.** When the manufacturer of a Product Approved side wall horizontally vented gas fuelled equipment does not provide the parts for venting the fuel gases, but identifies "special venting systems", the following requirements shall be satisfied by the manufacturer.

1. The referenced "special venting system" instructions shall be included with the appliance or equipment installation instructions; and
2. The "special venting systems" shall be Product Approved by the Board, and the instructions for that system shall include a parts list and detailed installation instructions.

(e) A copy of all installation instructions for all Product Approved side wall horizontally vented gas fuelled equipment, all venting instructions, all parts lists for venting instructions, and/or all venting design instructions shall remain with the appliance or equipment at the completion of the installation.

Fireplace Dimensions

Fig. #1



Minimum Clearances to Combustible Material

Fig. #2

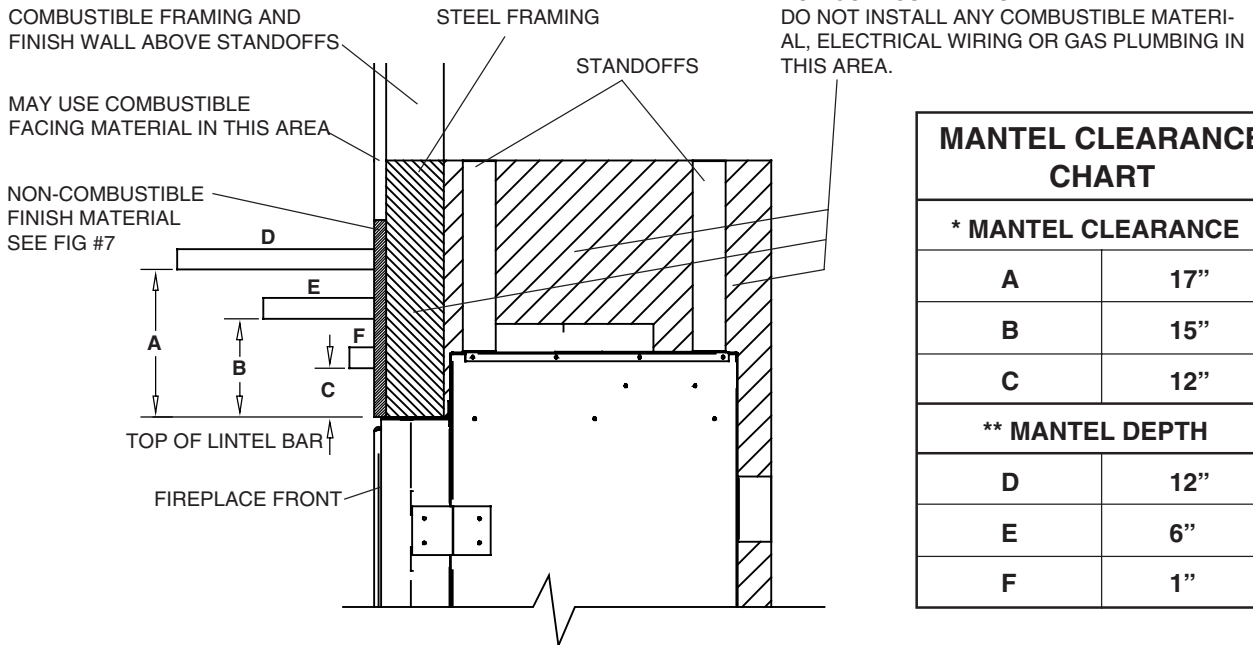
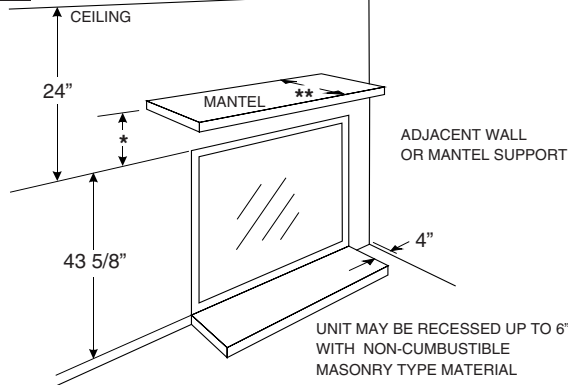


Fig. #3



Minimum Clearances:

Side standoffs.....	0 in.	(0 mm)
Back standoffs.....	0 in.	(0 mm)
Top standoffs.....	0 in.	(0 mm)
Bottom of appliance.....	0 in.	(0 mm)
Adjacent side wall.....	4 in.	(102 mm)
Ceiling to appliance	24 in.	(610 mm)
*Mantel to appliance.....	See Figure #2	
**Maximum Mantel extension	See Figure #2	
Mantel support.....	4 in.	(102 mm)
Vertical vent pipe	1 3/4" in.	(45 mm)
Horizontal Vent pipe (Top, sides and bottom).....	1 3/4" in.	(45 mm)

NOTE: To ensure that the hearth does not interfere with the window frame, the fireplace must be raised. Refer to 'Hearth Extension' section for details.

Installation Requirements

The Town & Country Fireplace installation and venting must conform to the current CAN/CGA-B149 installation code (in Canada) or the current National Fuel Gas Code, ANSI Z223.1 (in the USA), and approved per local codes. Only qualified (licensed or trained) personnel should install this product.

In the state of Massachusetts, only a licensed Plumber and Gas Fitter may install this product.

Manufactured (Mobile) Home

In some jurisdictions, the Town & Country Fireplace may be installed in Manufactured Homes after the "first sale". **Consult local codes for approval.** The fireplace must be fastened in place.

Install in accordance with the current standard Mobile Homes, CAN/CSA Z240 MH (in CANADA), and the Manufacturer's Home Construction and Safety Standard, Title 24 CFR, Part 3280 or the current Standard for Fire Safety Criteria for Manufactured Home Installations, Sites and Communities ANSI/NFPA 501A (in the USA).

Fig. #4



Window Frame Removal

Warning: Turn off the fireplace, and allow ample time for the unit to cool before proceeding.

Caution: The ceramic glass is very fragile, and should be handled with care.

The window frame is held in place by two spring-loaded latches and are operated by a removable handle. The handle is packaged with the instructions.

1. Insert the latch handle onto the catch located 6" down from the top corners. Rotate up to disengage each of the two catches.
2. Tilt the top of the window frame out to clear the top edge of the unit. Grasp the sides of the frame and lift up and out to disengage from its bottom track.
3. Place the window frame in a safe place to avoid damage.

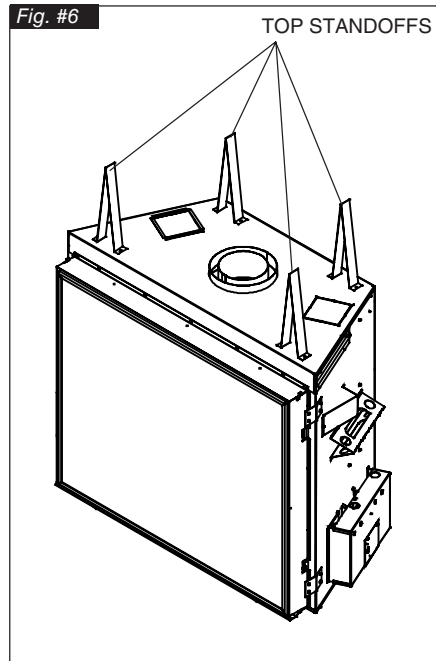
Reassemble in reverse order.

Fig. #5



Top Standoffs

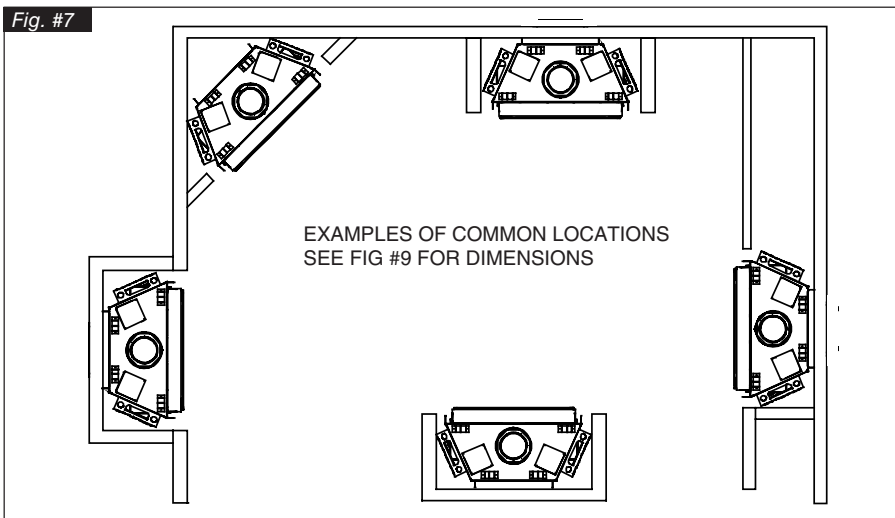
The top standoffs are shipped loose inside the fireplace and must be installed on top of the fireplace as shown in Fig 6. Do this once the fireplace is on site and in position.



Locating The Fireplace

In planning the installation for the fireplace, it is necessary to determine where the unit is to be installed, location of vent system and where gas supply piping may be plumbed. Various installations are possible, such as, into an existing wall, a corner, a built-in wall or a wall projection (Fig 7). Due to high temperatures, do not locate this fireplace in areas of high traffic or near furniture or draperies.

The minimum clearances from the fireplace to combustible surfaces must be adhered to and are shown in Fig 2 and Fig 3.



Framing and Finishing

Note: The fireplace should be in place and venting installed before framing in or building an enclosure around the unit.

The Town & Country fireplace must be framed in as described below or totally enclosed with non-combustible material, such as facing brick.

Determine the total thickness of facing material to be used. A thickness of 3/4" will allow the finishing surface to be flush with the front of the unit. If preferred, additional masonry type non-combustible material can be installed above and to the sides up to 6 inches proud of the appliance.

The finishing material must not interfere with glass frame access.

A Steel Stud Framing Kit is supplied with the fireplace and must be used unless the fireplace is totally enclosed with non-combustible material. Assemble the framing kit as per the instructions on pages 10 & 11 of this manual. Attach the steel frame to the fireplace once the fireplace is in its final

position. Secure the steel frame to the framing brackets on each side of the unit. Ensure that the studs are set back far enough to allow for thickness of finishing surface.

The sides, back and top of the fireplace can be framed in up to the steel studs and the fireplace standoffs using conventional lumber. Consult local building codes for specific requirements.

Due to high temperatures, non-combustible backer board is supplied with the fireplace and must be used to sheet in the front of the fireplace, extending 18 3/4" above and 5" to the side of the framing edge bars. (Fig 9) Standard sheet rock (dry wall) may be used beyond this.

Chase Insulation: When installing this fireplace against a non-insulated exterior wall or chase, it is recommended that the outer walls be insulated to same degree as other exterior walls. Do not place fireplace directly against the insulation. Cover the insulation and plastic vapour barrier with a solid surface, such as dry wall (sheet rock). Consult local codes. Do not insulate or use plastic vapour barrier within the framing kit.

Fig. #8

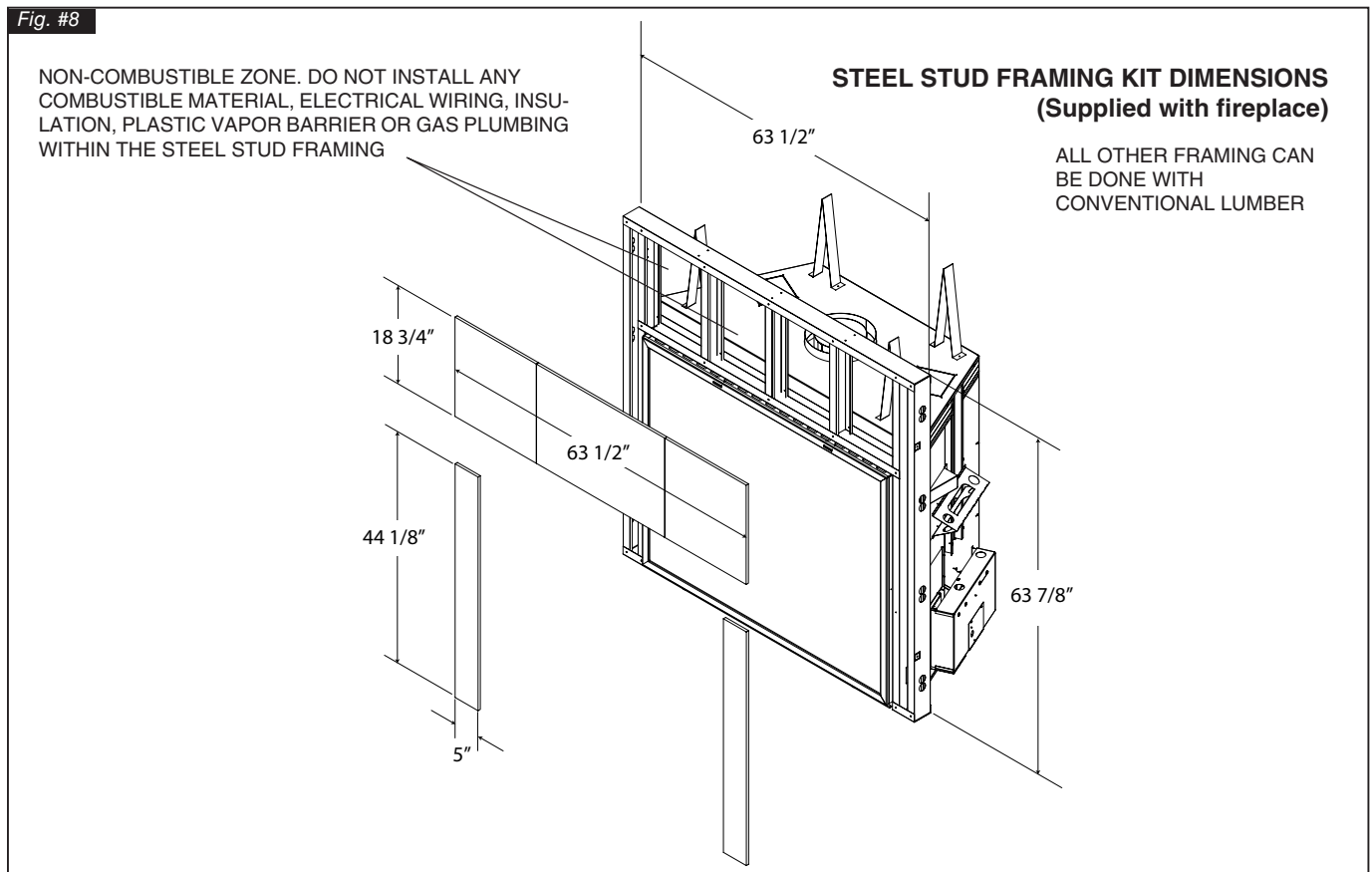
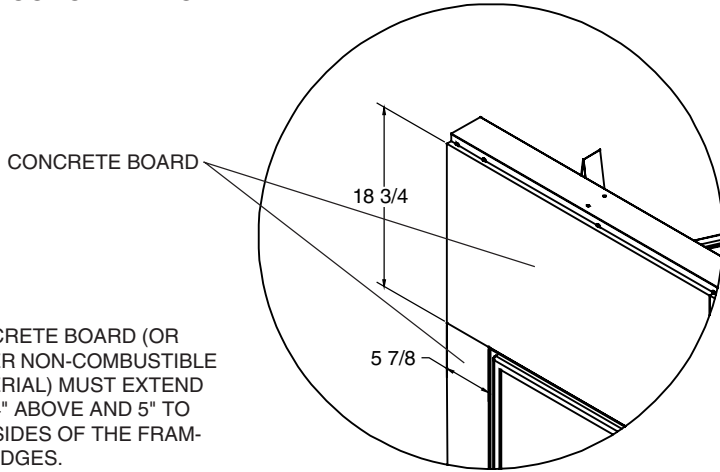


Fig. #9

CONCRETE BOARD DETAIL



CONCRETE BOARD (OR OTHER NON-COMBUSTIBLE MATERIAL) MUST EXTEND 18 3/4" ABOVE AND 5" TO THE SIDES OF THE FRAMING EDGES.

Fig. #10

NON-COMBUSTIBLE RECESSED INSTALLATION DETAIL

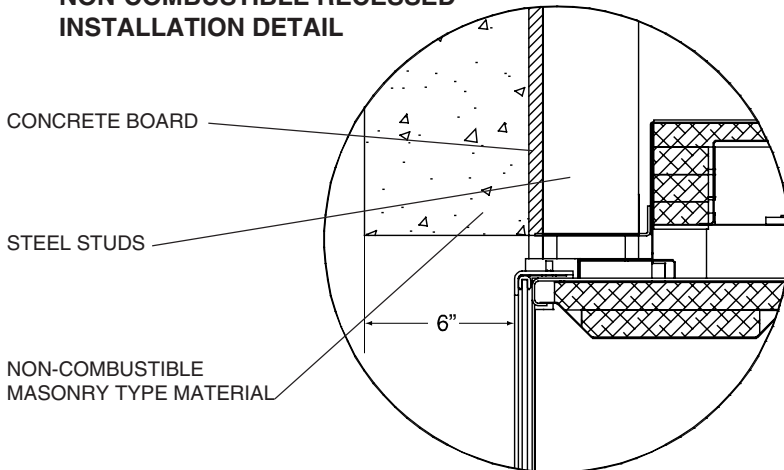
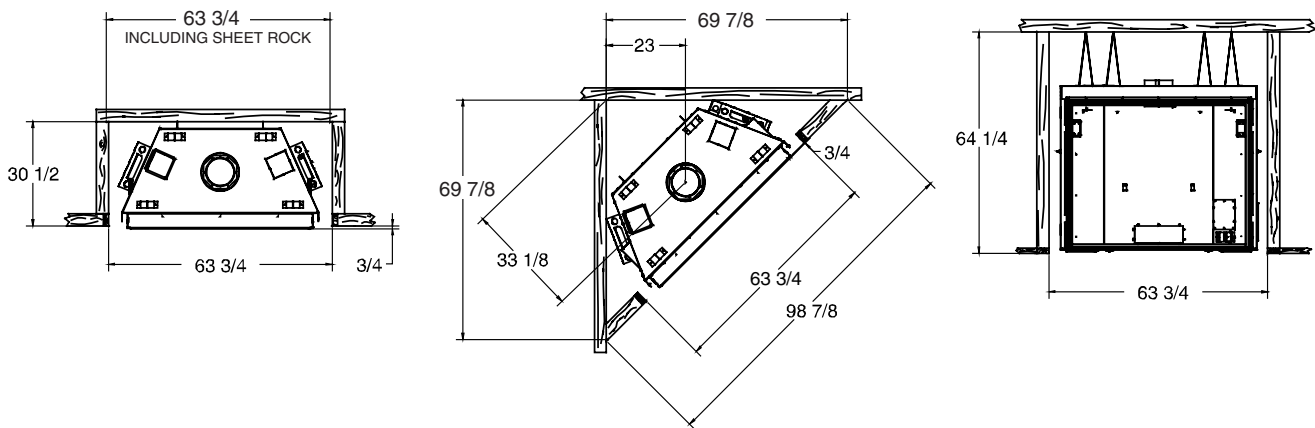


Fig. #11

MINIMUM COMBUSTIBLE FRAMING DIMENSIONS

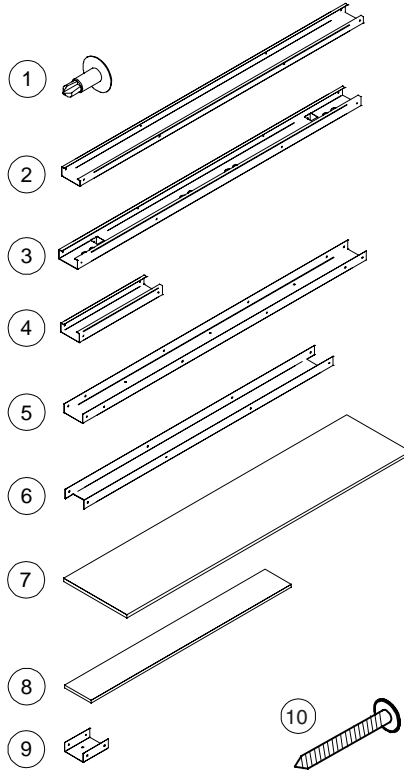


NOTE: FIREPLACE SHOULD BE IN ITS FINAL LOCATION BEFORE FRAMING.

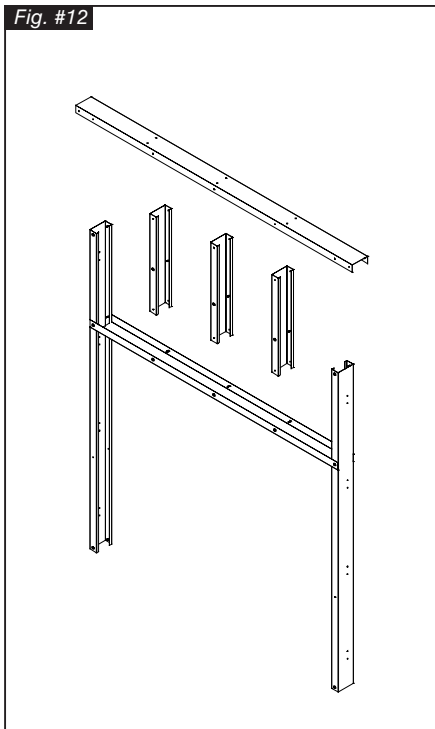
Steel Stud Framing Kit

TC54.FRKT

Each Kit Contains:



Item	Part #	Description	Qty.
1	5048.401	SCREW, TEKS #8 x 1/2	Pkg 40
2	8193	STUD, SIDES, 63 3/4"L	2
3	8192	STUD, OUTER SIDES, 63 3/4"L	2
4	8195	STUD, CENTER, 19 7/16"L	3
5	8194	STUD, HEADER, 63 1/2"L	1
6	8194.2	STUD, PLATE, 57 1/16"L	1
7	8198	CONCRETE BOARD, TOP 18 3/4" x 31 3/4"	2
8	8198.5	CONCRETE BOARD, SIDE 5" x 44 1/8"	2
9	9194.5	BASE PLATE 5 3/4"L	2
10	5049.993	SCREW, DRYWALL, 1 1/4"	Pkg 30

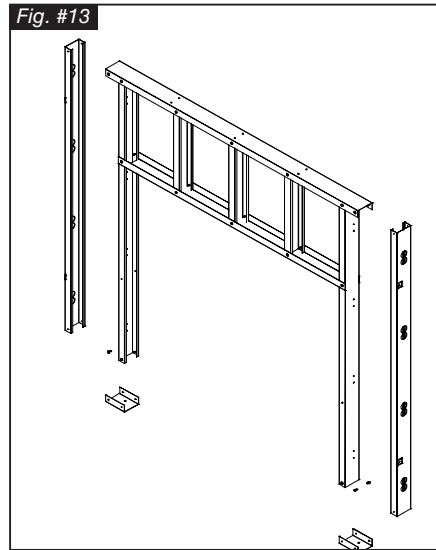


1. Top Frame Assembly

- Lay out side studs (2) and center studs (4) on a large flat surface. (Fig 12)
- Using the screws provided (1), attach the header stud (5) and the plate stud (6) to the center studs (4).

2. Attach Side Studs (Legs)

- Attach the outer side studs (3) to the top of the header stud (5). (Fig 13)
- Fasten the outer side studs (3) at the bottom using the base plates (7).

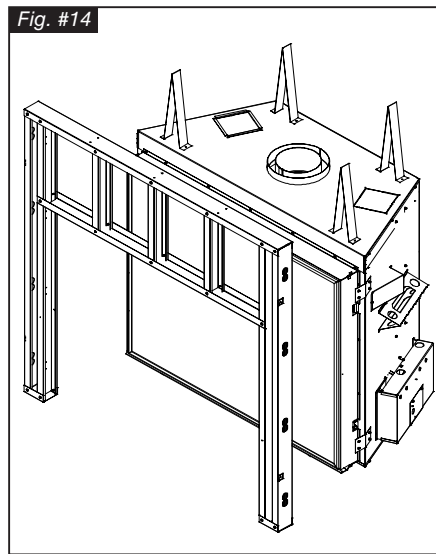


3. Attach the Assembled Frame to the Unit

- Align the assembled frame to the unit framing brackets. (Fig 14) Attach at the fastening points through the access holes in the outer side studs (3).

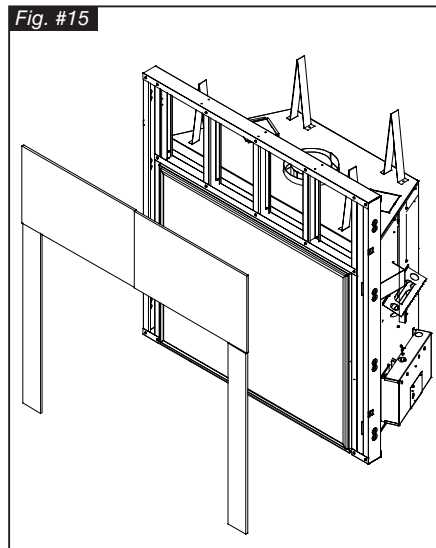
4. Secure to Existing Framing

- Secure the frame assembly to existing framing through the stud header (5) and the stud plates (7).

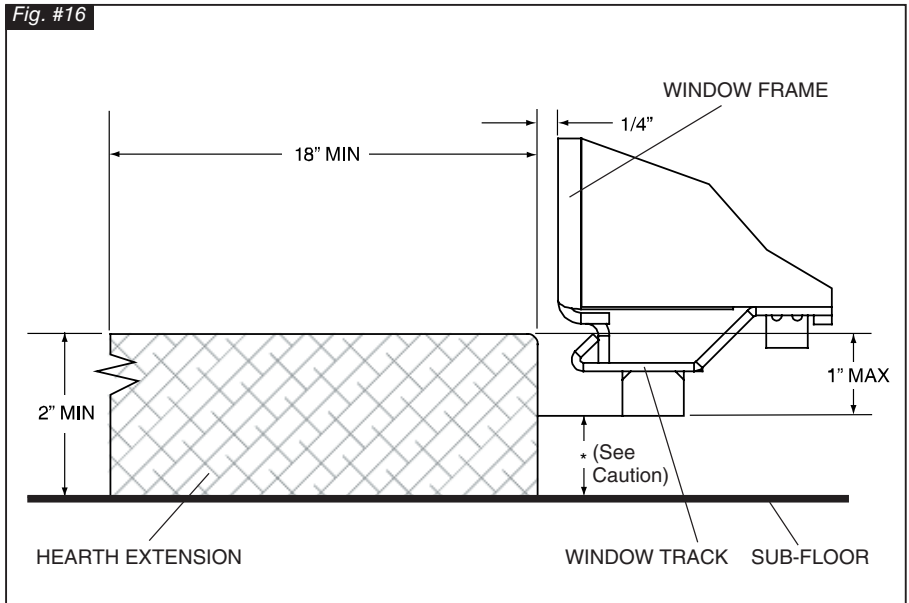


5. Install Concrete Board Top and Sides

- Use drywall screws (10) to install the concrete board top (8) and sides (9). (Fig 15)



Hearth Extension



*** Caution:**

A minimum 2" thick non-combustible hearth extension extending 18" in front of this fireplace must be fitted if a combustible sub floor extends in front of the fireplace. To ensure that the hearth does not interfere with the window frame the fireplace must be raised to ensure that the hearth extension is no more than 1" above the bottom of the fireplace.

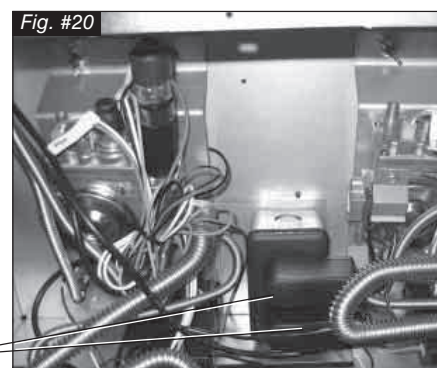
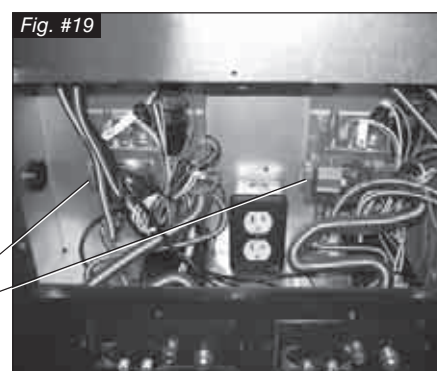
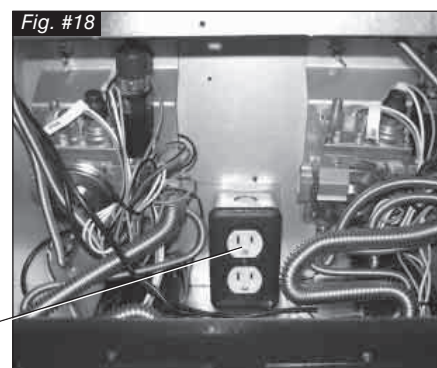
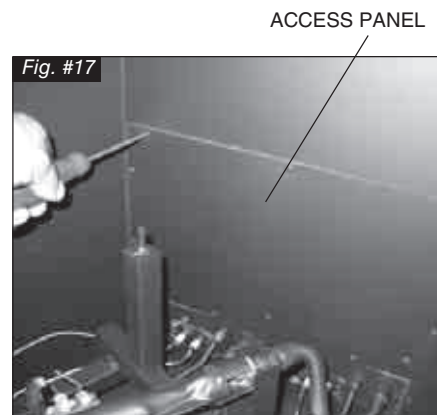
The fireplace can be raised using combustible or non-combustible materials ensuring that it is fully supported along the full width and depth of the fireplace.

Maestro Control – Plumbing and Electrical

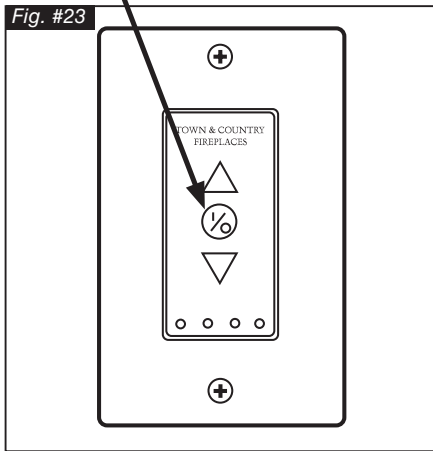
The gas control system is located on the right hand side of the firebox behind an access panel and the decorative firebox panel (if installed). The fireplace is operated via a wall switch that can be located up to 25 ft. away from the fireplace and also by a hand held remote control unit.

Installation

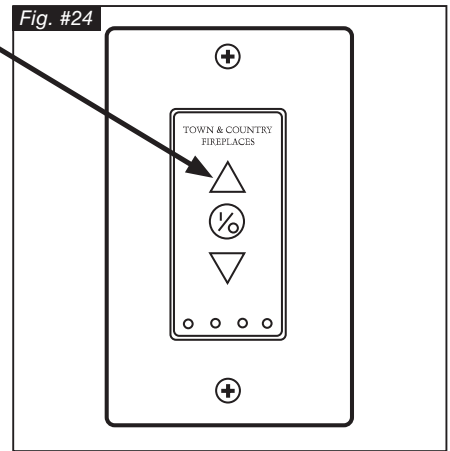
1. Place the fireplace in the desired location.
2. Remove the window and log pack from the fireplace.
3. Remove access panel from right hand side of the firebox (Fig 17)
5. Connect a 110 V. AC electrical supply to the outlet installed inside the control box (Fig 18)
6. Connect the gas supply to each of the valves (Fig 19)
(See gas supply section)
7. Plug the A/C adaptors into the outlet (Fig 20)
8. Attach the electrical box for the supplied wall control to the framing in the desired location (up to 25 ft. away).



9. Route the control cable as required to the wall control electrical box.
10. Attach the control cable to the wall control. (Fig 21)
11. Insert the 4 supplied "AA" batteries into the battery pack and connect to wall control. (Fig 22)
12. Fasten the wall switch to the electrical box.
13. Fasten the faceplate to switch
14. If not already installed, install the burner and log set using the instructions supplied with the burner kit.
15. Turn on the gas supply and check that all connections are tight and leak free.
16. Turn on gas and electrical supplies.
17. Press the center button on the wall control (Fig 23). The igniter will start to spark. After a short delay the pilot will light, followed by the main burner.



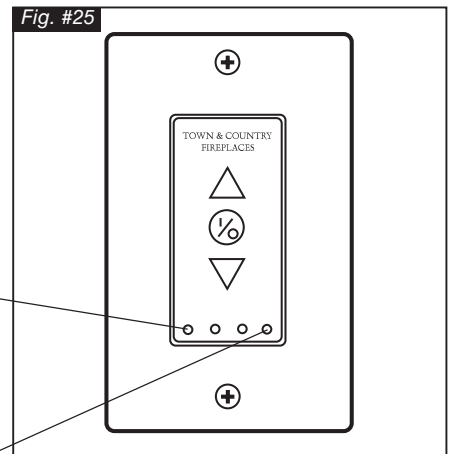
18. Press the up button on the wall control and hold it for 5 seconds or until a clicking sound is heard from the gas control. Release the button, check manifold pressure and ensure that it's correct. (Fig 24)



19. Press the center button of the wall control. The fireplace will shut off.
20. Install the remaining screws in the access panel and tighten.
21. Remove the pressure gauge and the extension test fitting and thread the pressure test port plug into the pressure test port. Thread sealant is required on the threads.
22. Turn the fireplace on and verify that the connections are tight.

Standing Pilot Function (Only for use where permitted)

The control system on this fireplace is shipped to operate with an electronic ignition. If required the system can be converted to a standing pilot by depressing a recessed button located on the lower right hand side of the wall control. (Fig 25) This should be depressed with a paperclip, pencil or other thin object. Once activated the pilot will run continuously. Please check with your local inspector to ensure that this is permitted in your area.



Gas Supply

Caution: The gas line should be installed by a qualified service person in accordance with all building codes. This section is intended as a guide for qualified technicians installing this appliance. Consult local and / or national building codes before proceeding.

This fireplace has two gas controls and gas lines must be run to both by the installer in order for the fireplace to operate correctly.

Gas supply line access holes are located at the top and left sides of the Control Box. Gas valve inlet accepts a 3/8" N.P.T. fitting. Correct gas line diameter must be used to assure proper operation and pressure.

The fireplace has an input rate of 93,000 BTU/HR on both Natural Gas and Propane.

Gas Pressure Check

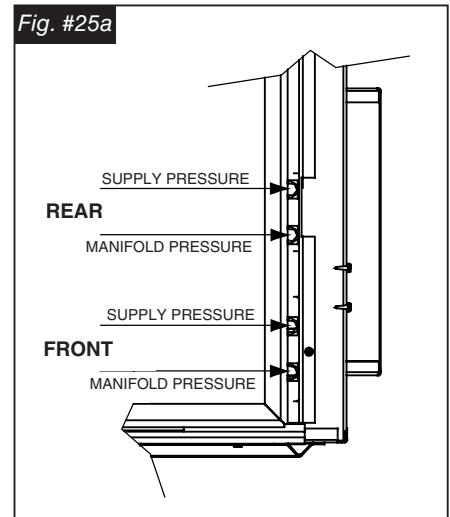
Note: To test the gas pressure, turn off the gas supply before removing the blanking plug from the supply pressure test port or manifold pressure test port.

There are four ports on this fireplace. The top two are connected to the rear burner and the bottom two are to the front burner. Manifold pressures should be checked on both to ensure they are correct.

Verify gas pressures with the fireplace lit and on the highest setting.

Please refer to the Burner Installation Manual for gas testing procedure.

Fig. #25a



Correct gas pressure requirement:

	Natural Gas	Propane
Min. Pressure (For purpose of input adjustment)	5.0" WC	12.5" WC
Max. Pressure	13.9" WC	13.9" WC
Manifold Pressure		
Maximum	3.8" WC	11" WC
Minimum	2.1" WC	5.5" WC

Horizontal Termination Venting (Power Vented)

NOTE:

It is recommended that the High Capacity Power Vent Terminal be painted with hi-temp paint. See manual for details.

This unit can be vented horizontally (wall termination) ONLY with an approved High Capacity Power Vent Kit (TCVT.PVAX2) using TC 8x11 Vent Pipe.

Please use the instructions provided with the optional High Capacity Power Vent Kit when planning any installation where a horizontal termination is required.

Vertical Termination Venting

Before installing vertical venting (roof termination) for this unit, the installer should read these instructions to insure that the proper vent configuration has been selected.

Use only Town and Country Termination kit:

TCVT.RTA - Roof Termination Kit

Vent system components approved for use with the Town and Country Fireplace are shown in Fig 26.

NOTE:

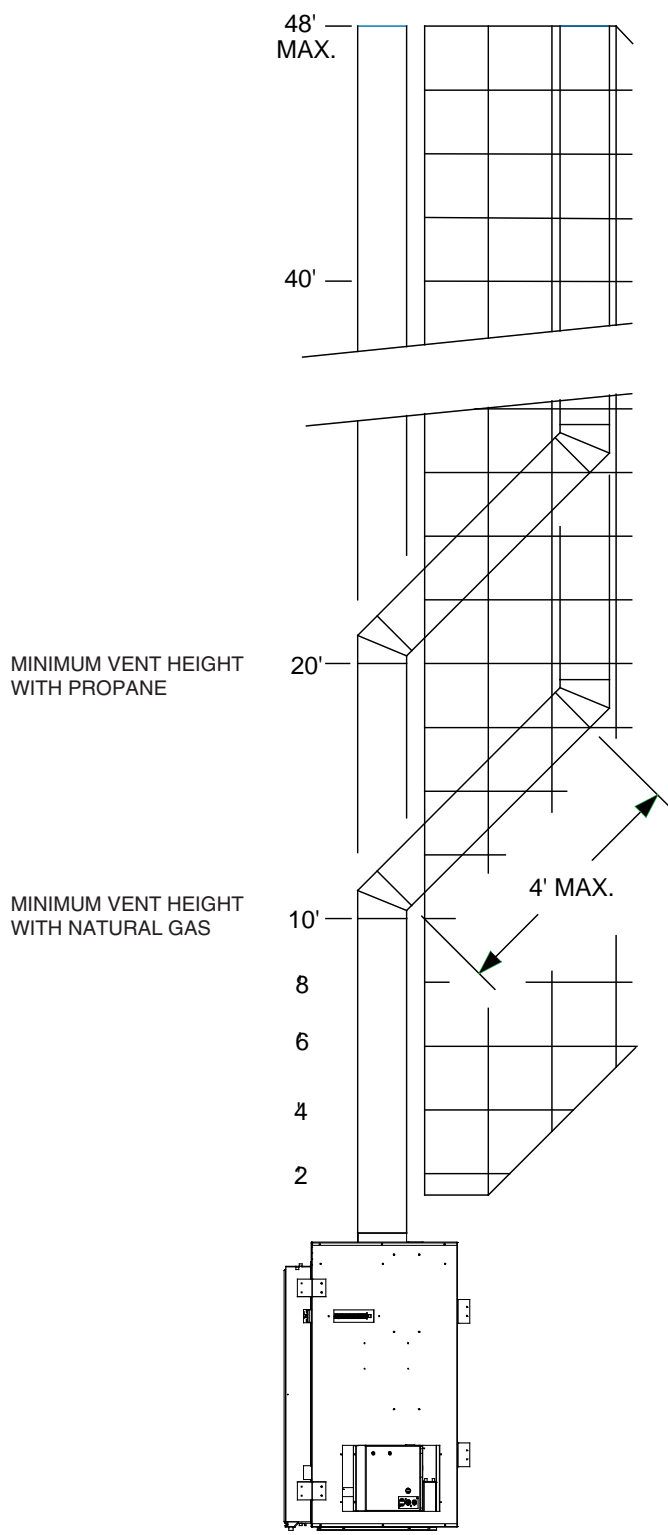
A vertically vented TC54 cannot be power-vented.

Fig. #26

Vent System Components	Town & Country Code
12" Pipe Length	TCVT.811X12
18" Pipe Length	TCVT.811X18
24" Pipe Length	TCVT.811X24
48" Pipe Length	TCVT.811X48
18" Adjustable Pipe Length	TCVT.811X12ADJ
45° Elbow	TCVT.811XLB45
Wall/Offset Support	TCVT.811XOS
Roof Termination Kit.....	TCVT.RTA
Wall Shield / Ceiling Firestop.....	TCVT.THIMA
Roof Flashing, Adjustable.....	TCVT.811FLADJ
Roof Flashing, Flat	TCVT.811FLFLT
Roof Flashing, Steep	TCVT.811FLSTP
.....or any that fits 11" pipe

Roof Termination Venting Chart

Fig. #27



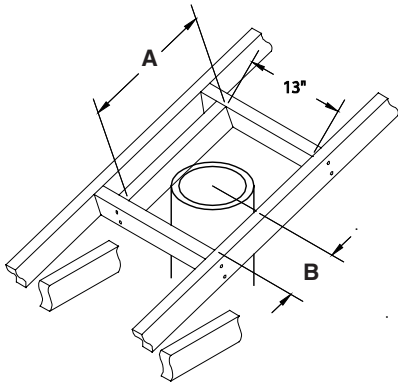
Various combinations of vent runs may be used. Refer to Fig 27 for details. For optimum performance and flame appearance, keep the vent length to a minimum and limit the number of elbows. Connections between each vent system component must be tightly joined, secured with sheet metal screws and sealed.

CAUTION:

Under no condition should combustible material be closer than 1 3/4 inches from any part of the vent pipe.

Only 45° elbows can be used in this vent system.

Fig. #28



Size of the opening will have to increase with the pitch of the roof to ensure a 1 3/4" inch air space clearance between vent pipe and combustibles.

Roof Pitch	A	B
0/12	14 1/2"	7 1/4"
4/12	16 1/2"	8 3/4"
6/12	18"	10"
8/12	19 3/4"	11"
12/12	24"	13 3/4"

Ceiling Opening:

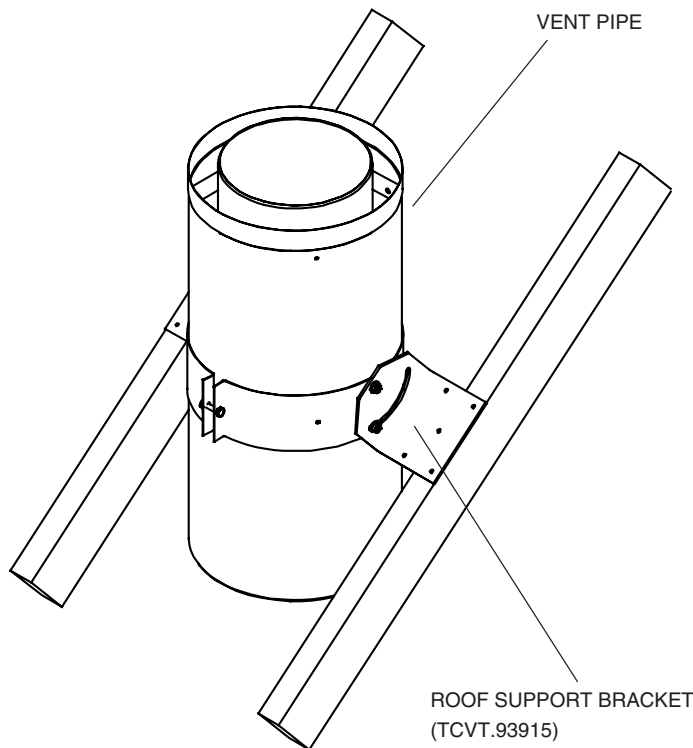
1. Determine the exact position of the fireplace so that the vent pipe is centred (if possible) between two building framing members. Lay out the vent system path, minimizing the number of elbows and length of vent. Consult your local building codes prior to proceeding.
2. Cut and frame a 14 1/2" opening in the floor, ceiling or roof where the vent system will pass. Size of the opening in the roof may need to be increased as the pitch of the roof increases. Avoid cutting rafters.

Ceiling Firestop:

Where a vent pipe passes through a floor or ceiling, a ceiling firestop must be used to retain insulation and maintain proper clearances.

From below, push the ceiling firestop through the opening and secure in place. If the firestop is used to penetrate a floor, the outer shield may be trimmed in length. If the firestop penetrates into an attic, leave the shield full length to keep insulation away from the vent pipe. Additionally, after the vent pipe is in place, install a storm collar on top of the shield. This will prevent loose insulation from falling into the area between the vent pipe and the shield.

Fig. #29



Vent Pipe:

1. Install the first section of vent pipe into the collar on top of the fireplace. Secure in place with screws and seal with approved "High Temperature" self-adhesive aluminium tape provided.
2. Continue adding vent pipe lengths up and through the firestop(s) and through the roof. The vent pipe must extend at least 24" above the roof.

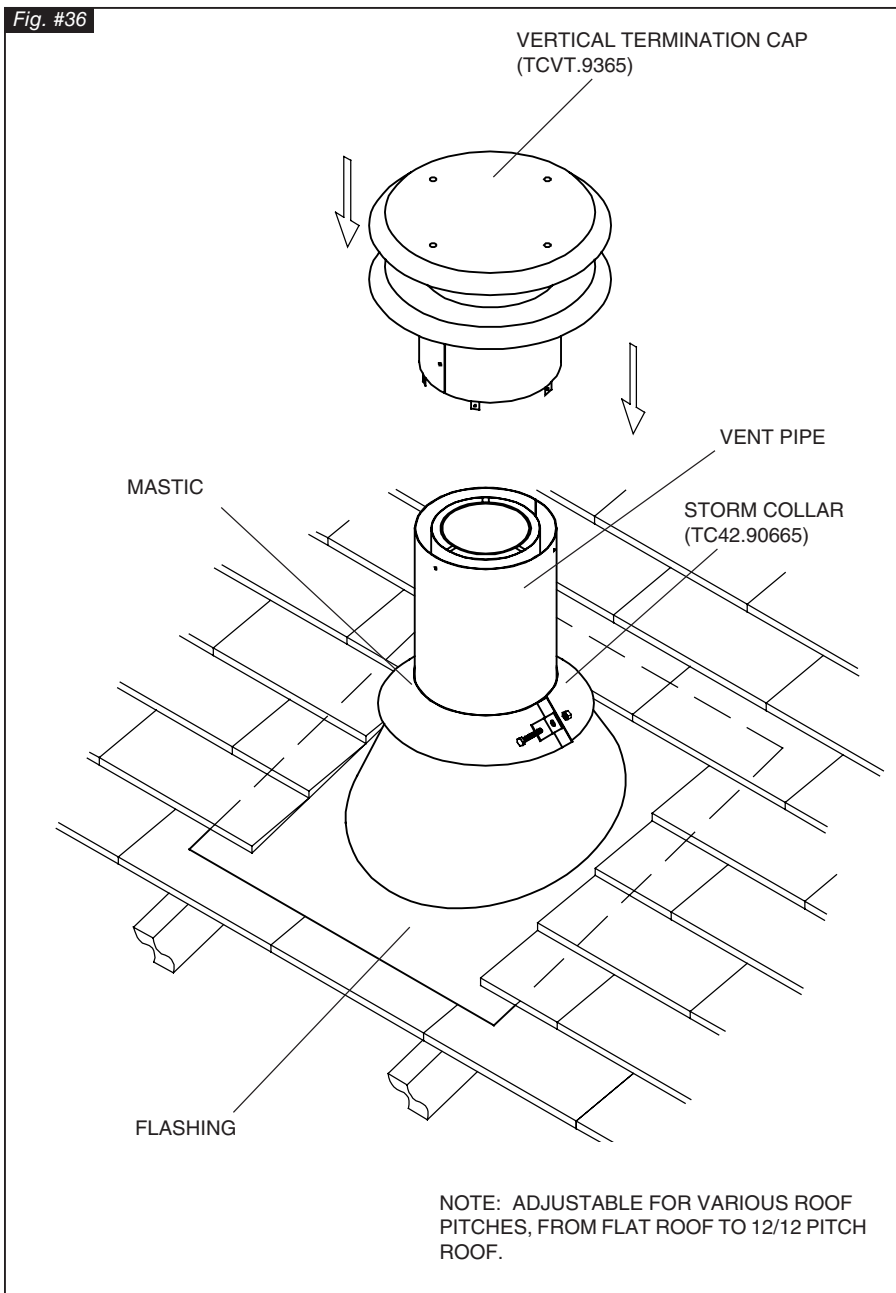
Seal the vent pipe as per "Vent Pipe Sealant" section.

Roof Support Bracket:

Slip the roof support bracket down over the vent pipe. Rotate the 90° brackets to accommodate roof pitch. Attach the brackets to the roof joists with nails or building screws. Tighten the band around the vent pipe and secure in place with screws.

Roof Vent Terminal:

1. Place the roof flashing over top of the vent pipe and nail securely to the roof using roofing nails, top and sides UNDER shingles, lower end OVER shingles to provide a watershed. Make weather tight by sealing with a roofing compound. (Fig 36)
2. Place the storm collar down over the vent pipe until it is level. Tighten storm collar for a snug fit. Apply a thick horizontal ring of mastic around the pipe at top of the storm collar. (Fig 36)
3. Lower the roof vent terminal cap over the vent pipe and secure in place with screws provided. (Fig 36) Seal screw heads and joint with caulking to prevent any moisture entering the venting system.



Vent Terminal Clearance

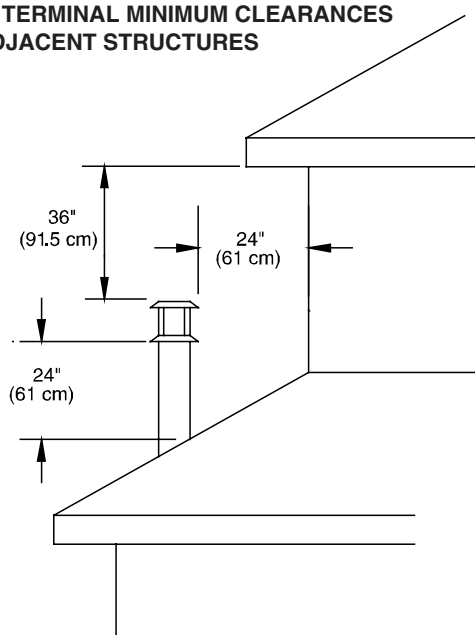
Minimum clearances to the vent terminal must be maintained as shown in figure #31. Measure clearances to the nearest edge of termination hood.

NOTE: Vent terminal must not be recessed

NOTE: LOCAL CODES OR REGULATIONS MAY REQUIRE DIFFERENT CLEARANCES.

Fig. #31

VENT TERMINAL MINIMUM CLEARANCES TO ADJACENT STRUCTURES



Vent Pipe Sealant

All outer joints of the vent pipe must be sealed with the approved "High Temperature" self-adhesive aluminium tape provided. Wrap the tape completely around the joint and press firmly in place.

Insulated Collar Shield

(Included Pt# TC36.9709)

After sealing the vent pipe, an insulating blanket and cover must be installed around the vent pipe. Place flush with the top of the unit and secure by fitting tabs through slots and bending over tabs 180° as shown in Fig. #32a. The parts required are included.

NOTE: Bend tabs to 90° away from arc bend prior to installation to ease the process.

Fig. #32

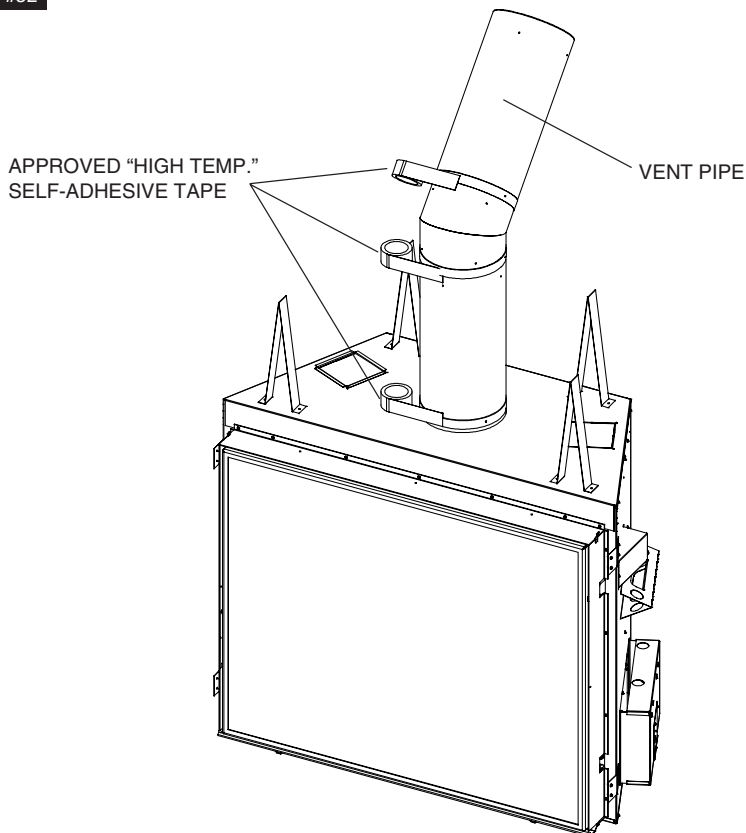
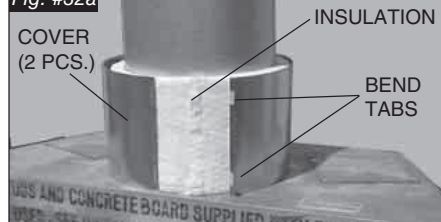


Fig. #32a



Vent Restrictor Adjustment

The vent restrictor is located on the underside of the firebox top. The unit leaves the factory with the vent restrictor wide open. The restrictor is built into the appliance for secondary air flow adjustment. Adjustment enables tuning the airflow for optimum flame appearance and performance for a wide variety of vent configurations.

Setting:

- determine the vent height
- determine the vent horizontal length
- from the chart determine the restrictor position

Refer to the chart in Fig. 33 for the correct position of restrictor for the vent configuration of your installation. Restrictor positions are based upon lab tests. The ideal position may vary slightly with installation.

Restrictor position is too closed if the flame has the following characteristics:

- Flame is excessively tall and lifting.
- Flame lacks movement.
- Flame soots.

Restrictor position is too open if the flame has the following characteristics:

- Flame height is low.
- Flame has excessive movement.

To adjust the restrictor:

- Loosen the screw holding the restrictor.
- Move the restrictor to its intended opening.
- Re-tighten the screw

Fig. #33

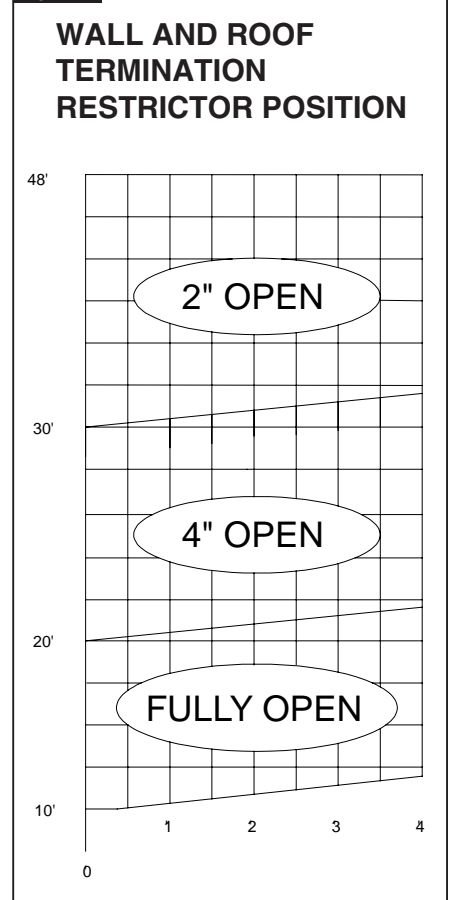
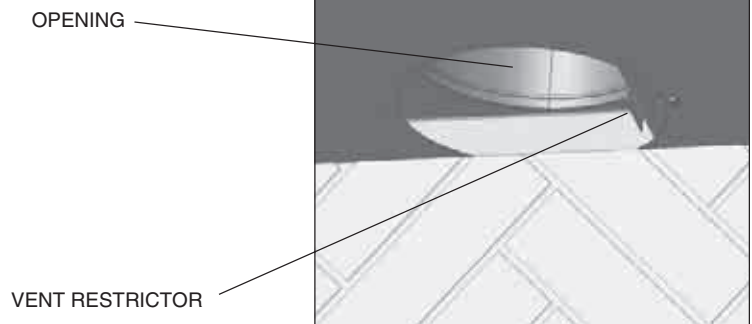


Fig. #34



Firebox Panels Installation

BEIGE HERRINGBONE	TCPN.771
TUSCAN	TCPN.772
HERITAGE RED	TCPN.773
BLACK PORCELAIN	TCPN.774.C
COFFEE BEAN BROWN PORCELAIN	TCPN.774CB.CB

(See Porcelain panel instruction manual for specific instructions for these panels)

A Firebox Panel Set must be installed for safe operation. Do not use the fireplace without panels. Unpack and inspect all panels. The panels need to be installed before the logs are in place.

Caution: The Firebox Panels are very fragile, and should be handled with care.

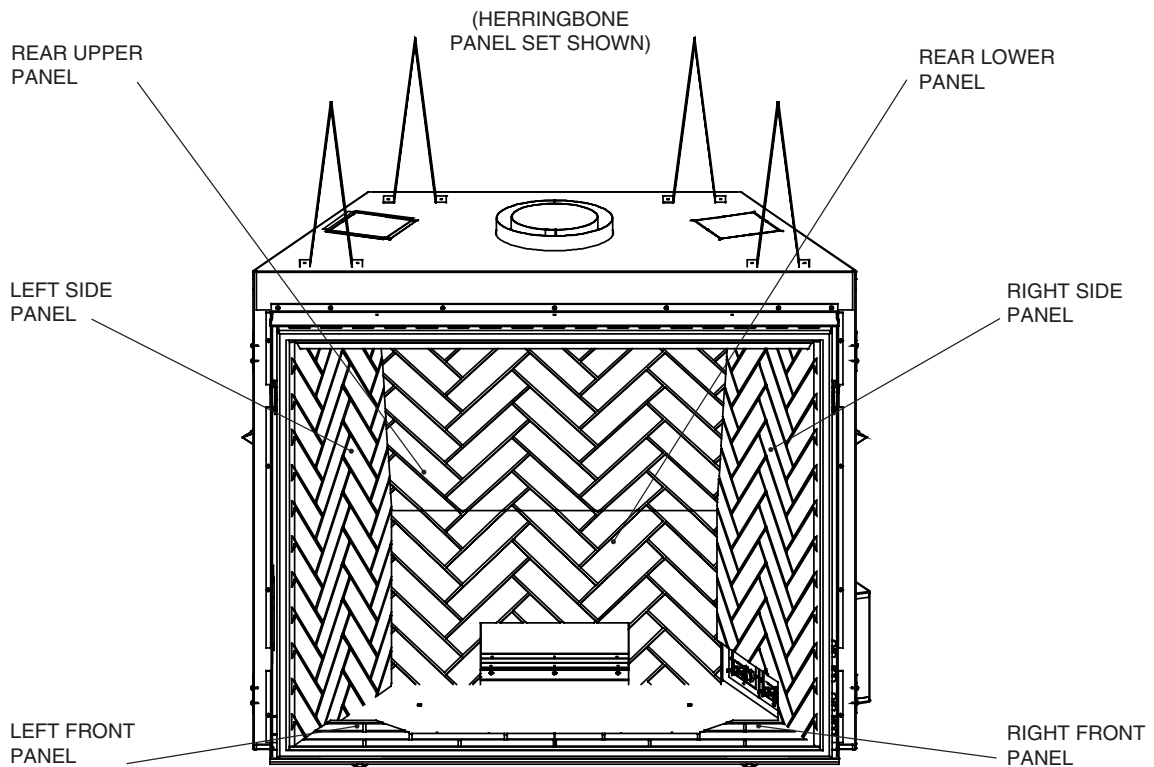
UPPER FIREBOX SHIELD
SIDE PANEL RETAINER

Fig. #35



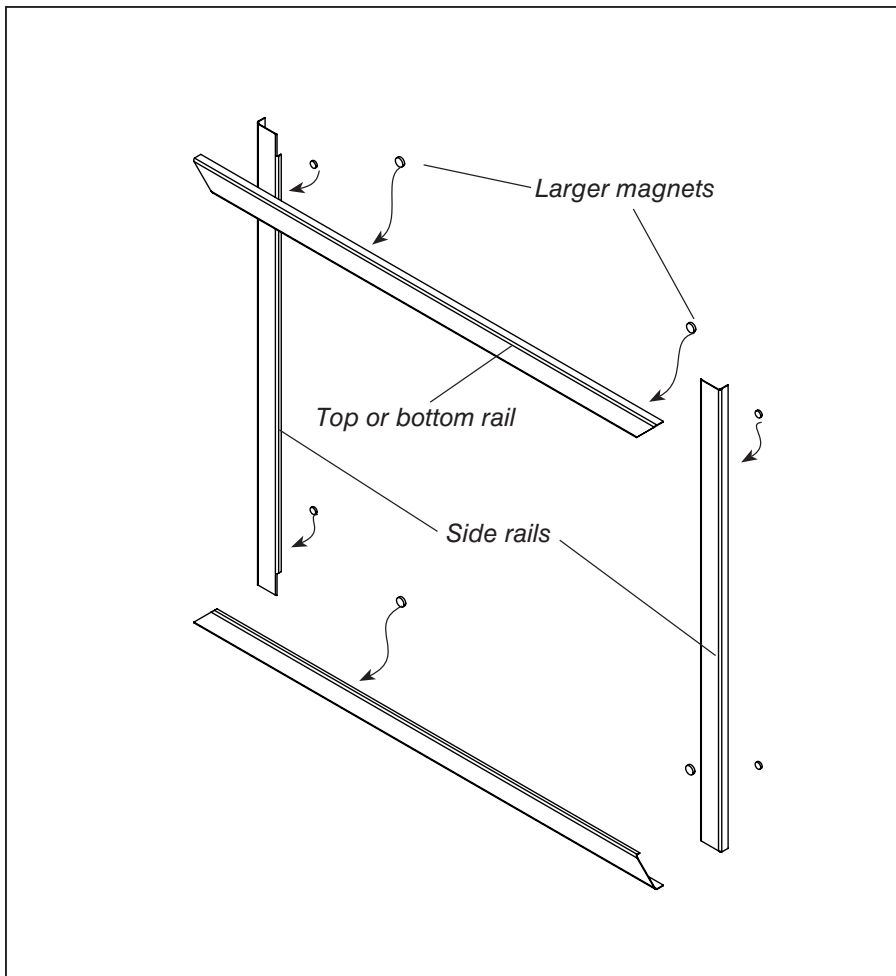
1. Remove the Side Panel Retainers located on the underside of the upper firebox heat shield. The retainers are each held in place by one screw
2. Install the Lower Rear Panel.
3. Install the Left Side Panel by inserting the bottom of the panel in first and then angling it up into position.
4. Install the Rear Upper Panel.
5. Install the Right Side Panel by inserting the bottom of the panel in first and then angling it up into position.
6. Re-install the Side Panel Retainers.
7. Install the Left and Right Front Panels.

Fig. #36



Finishing Touch Trim Kit Instructions

1. Place two smaller magnets on back of each side rail.
2. Place two larger magnets on back of the top and bottom rails.
(For TC36 Arch model place three larger magnets on back of curved top rail).
3. Attach the side rails. Even the ends up with the door frame.
4. Attach the top and bottom rails and adjust so mitres are even at the corners.



Lighting Instructions

FOR YOUR SAFETY READ BEFORE LIGHTING

WARNING: If you do not follow these instructions exactly, a fire or explosion may result causing property damage, personal injury or loss of life.

- A. This appliance is equipped with an ignition device which automatically lights the pilot. Do not try to light the pilot by hand.
B. **BEFORE LIGHTING** smell all around the appliance area for gas. Be sure to smell next to the floor because some gas is heavier than air and will settle on the floor.
WHAT TO DO IF YOU SMELL GAS:
- Do not try to light any appliance.

- Do not touch any electric switch; do not use any phone in your building.
 - Immediately call your gas supplier from a neighbour's phone. Follow the gas supplier's instructions.
 - If you cannot reach your gas supplier, call the fire department.
- C. Use only your hand to push in or turn the gas control knob. Never use tools. If the knob will not push in or turn by hand, don't try to repair it, call a qualified service technician. Force or attempted repair may result in a fire or explosion.
- D. Do not use this appliance if any part has been under water. Immediately call a qualified service technician to inspect the appliance & to replace any part of the control system & any gas control which has been under water.

LIGHTING INSTRUCTIONS

1. **STOP!** Read the safety information above on this label.
2. Set wall switch/ hand held remote to lowest setting.
3. This appliance is equipped with an ignition device which automatically lights the pilot. Do not try to light the pilot by hand.
4. Push the "On/ Off" switch to the fireplace Off.
5. Allow sufficient length of time (minimum 5 minutes) for any gas in the combustion chamber to escape. If you still smell gas, **STOP!** Follow "B" in the safety information above on this label. If you don't smell gas, go to the next step.
6. Push the "On/ Off" switch to turn the fireplace on.
 - If the burner does not light, repeat steps 4 through 6.
 - If the burner will not light or stay lit after several tries, push the "On/ Off" switch to the fireplace off and call your service technician or gas supplier.

Note: Sufficient time must be allowed for air to escape from lines if the unit is being lit for the first time.
7. Set fireplace to desired setting by using either the wall switch or hand held remote.

TO TURN OFF GAS TO APPLIANCE

1. Set wall switch / hand held remote to lowest setting.
2. Push the "on/ off" switch to the "Off" position.
3. Turn off all electric power to the appliance and remove backup batteries if service is to be performed or for extended shutdown.

Due to high surface temperatures, keep children, clothing and furniture away. Keep burner and control compartment clean. See installation and operating instructions accompanying the appliance.

A cause de la température élevée des parois, tenir éloignés les enfants, les vêtements et les meubles. Maintenir propres le brûleur et le compartiment de commande. Voir les instructions relatives à l'installation et au fonctionnement qui accompagnent l'appareil.

CAUTION: Hot while in operation. Do not touch. Severe burns may result. Keep children, clothing, furniture, gasoline and other liquids having flammable vapours away. Keep burner and control compartment clean. See installation and operating instructions accompanying the appliance.

ATTENTION: L'appareil est chaud lorsqu'il fonctionne. Ne pas toucher l'appareil. Risque de brûlures graves. Surveiller les enfants. Garder les vêtements, le meubles, l'essence ou autres liquides produisant des vapeurs inflammables loin de l'appareil. S'assurer que le brûleur et le compartiment des commandes sont propres. Voir les instructions d'installation et d'utilisation qui accompagnent l'appareil.

310106

5051.173

5-TC30

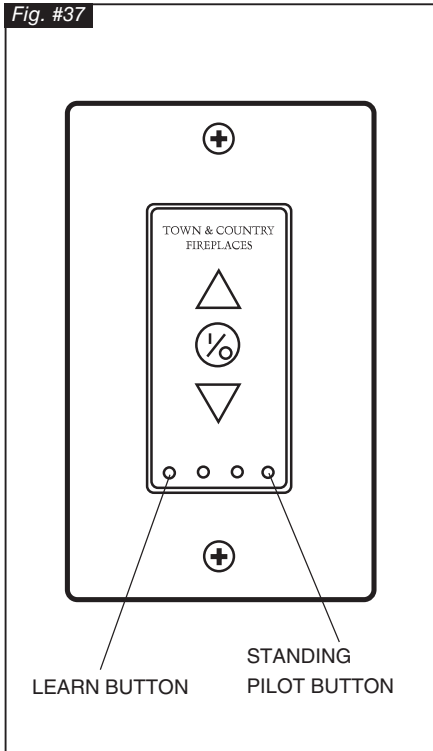
First Fire

When lit for the first time, the fireplace will emit a slight odour for a couple of hours. This is due to the curing of paints, sealants and lubricants used in the manufacturing process. This condition is temporary. Open doors and windows to ventilate area. Smoke and fumes caused by the curing process may cause discomfort to some individuals.

It is normal for fireplaces fabricated of steel to give off some expansion and/or contraction noises during the start up or cool down cycle. Similar noises are found with your furnace heat exchanger or cook stove oven.

Maestro Control System Remote Control Initial Setup

Fig. #37



This fireplace is supplied with a wall control and hand held remote control.

Please note only genuine Town & Country Fireplace wall controls and hand held remote controls can be used on this fireplace.

1. Initial set up of the hand held remote is required. A "learn" button is located on the lower left hand side of the wall switch. This should be depressed with a paperclip, pencil or other thin object. (Fig 37)
2. Once this has been pressed, press the center button on the hand held remote. (Fig 38) The fireplace will then turn on.
3. Turn off the fireplace by pressing the center button again. The handset is now synchronized with the fireplace.

Initial Settings

(Time and temperature)

1. Press and hold the A1 and A2 buttons at the same time until the temperature symbol flashes. (Fig 39)
2. Use the up and down arrows to set preferred temperature units. (°F or °C)
3. Press OK and the "hour" value will start to flash.
4. Use the up and down arrows to set the "hour" value.
5. Press OK and the "minute" value will flash.
6. Use the up and down arrows to set the "minute" value.
7. Press OK and the "day" value will flash.

Fig. #38

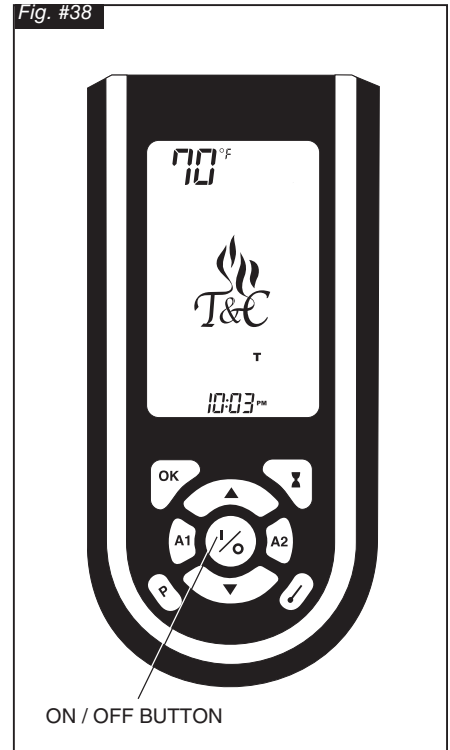
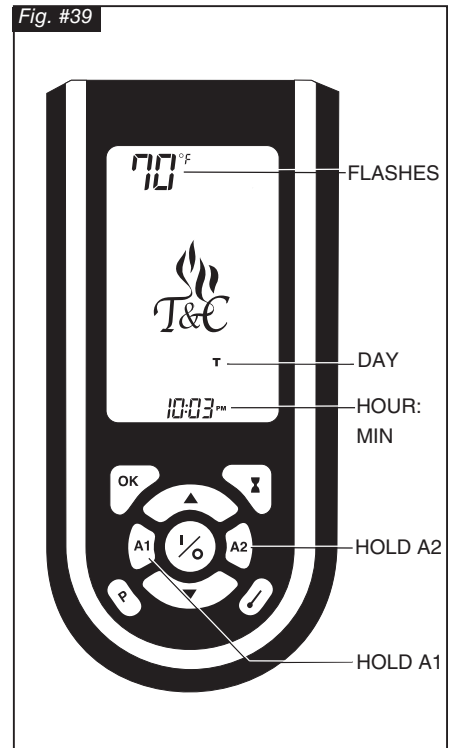


Fig. #39

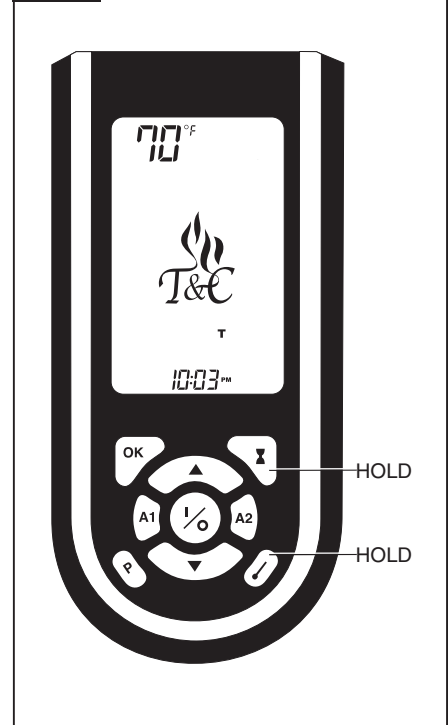


Childproof Lock

An additional feature of this remote control is the childproof lock. To activate this system press and hold the timer and thermostat buttons for approx. 5 seconds until the “lock” symbol appears on the remote display. (Fig 40) The remote control hand set buttons are now locked and the lock symbol will reappear every time a button is pressed on the remote control until the timer and thermostat buttons are pressed and held again.

Note: The fireplace can still be operated normally using the wall control even with the remote control buttons locked.

Fig. #40



Maestro Control System - Operation

Each Town and Country Maestro Control system comes equipped with a manual mode on the wall control and hand held remote, and three programmable modes accessible with the hand remote.

Manual Mode

(On remote and wall control)

Basic operation of the fireplace can be performed with the wall control or remote hand set. (ON / OFF, as well as flame modulation UP/ DOWN).

The center button on the remote control can be used to turn the fireplace ON and OFF. With the fireplace off, press the center button to turn it on. (The “MAN” and flame icons will be displayed on the screen) A second push will turn it off. (The “MAN” and flame icons will disappear from the screen)

When the fireplace is on, the up and down buttons located above and below the center button are used to modulate the flame height. (Fig 41)

Countdown Timer Mode

(Operates the fireplace for a preset length of time)

1. Press the timer button and the time will flash on the lower center of the display. (Fig 42)
2. When display is flashing, use the up and down arrows to set the length of time you would like the fireplace to run. (The range is 10 minutes minimum to 180 minutes maximum). (Fig 43)
3. Press the OK button and the timer is set and the control is in countdown timer mode.
4. To exit the timer mode press the Program, Manual or Thermostat buttons. Please note that the first press of the Manual button will turn the fireplace off.

Fig. #41

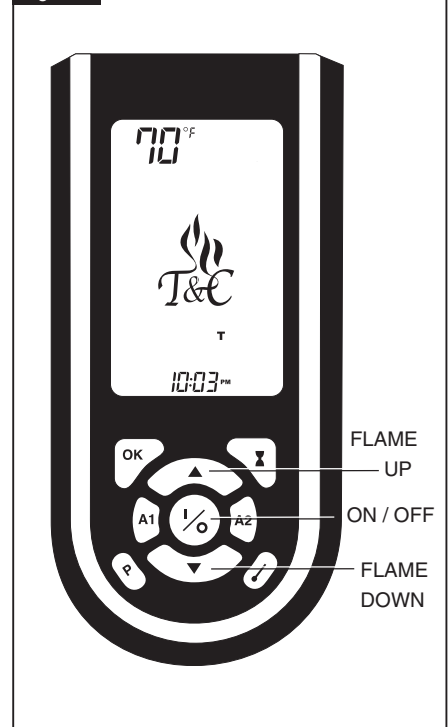
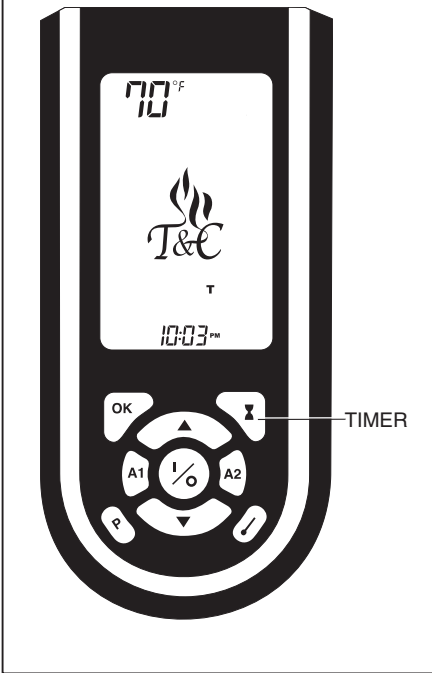


Fig. #42



Program Mode

(To preset up to two on and off periods per day)

The program mode has two settings for weekdays and two for weekends. The hand held remote comes with the following pre programmed settings:

Weekday Program (Monday through Friday)

Program one (P1) turns ON at 7:00am and turns OFF at 8:00am

Program two (P2) turns ON at 5:00pm and turns OFF at 7:00pm

Weekend Program (Saturday and Sunday)

Program one (P1) turns ON at 9:00am and turns OFF at 10:00am

Program two (P2) turns ON at 6:00pm and turns OFF at 9:00pm

Activate the programs by pressing the program button on the lower left hand side of the remote hand set. (Fig 44)

To customize these setting:

1. Hold the program button down until the display flashes. (P1, weekday ON time - [Fig 26])
2. Use the up and down buttons to change the time to the desired ON time.
3. By pressing the OK button, the P1 weekday OFF time will flash. (Fig 45)
4. Use the up and down buttons to set the desired OFF time.
5. Press the OK button and the P2 weekday ON time will flash.
6. Repeat the process to set the P2 weekday, P1 weekend and P2 weekend programs.
7. When the P2 OFF time is set and the OK button is pressed the display will stop flashing and the remote will be in program

Fig. #44

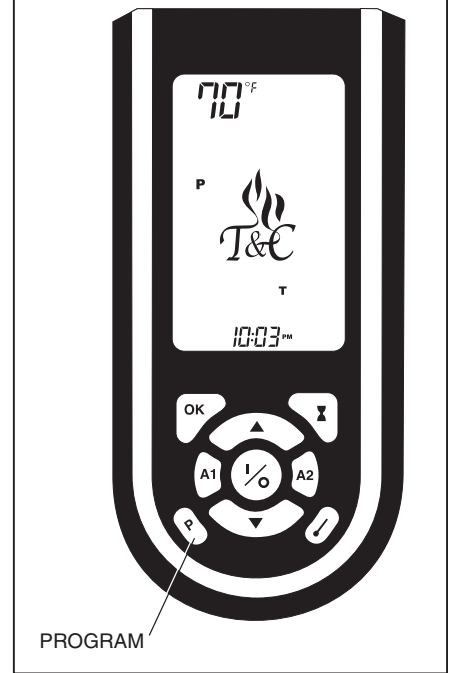


Fig. #43

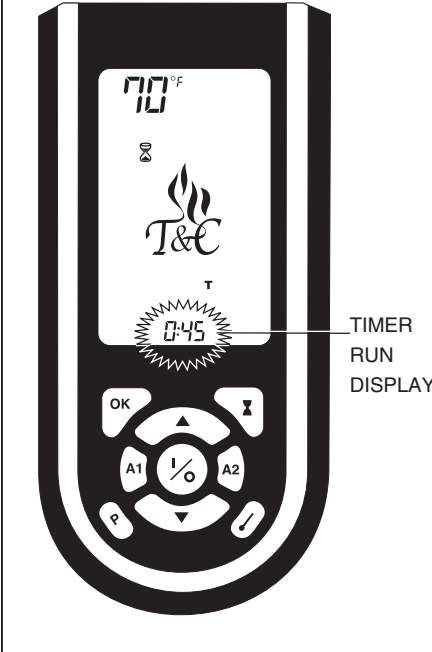


Fig. #45

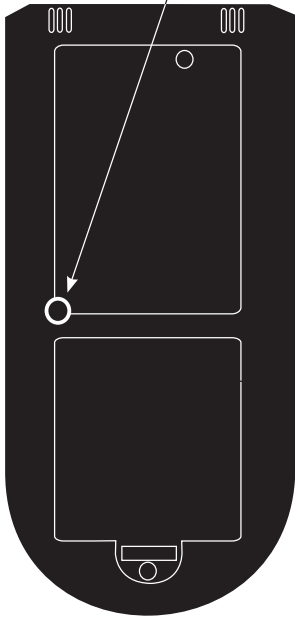


The program settings are now stored in the remote handset and will not change unless the above process is repeated or the batteries are removed from the handset.

To switch out of program mode, simply press one of the manual, timer or thermostat mode buttons. Please note that if the manual button is pressed it will turn the fireplace off.

Fig. #46

THERMOSTATIC MODE
BUTTON



Thermostatic Mode (Only for use where permitted)

(Operates the fireplace within a set temperature range)

The fireplace is shipped with thermostatic mode function deactivated. If this function is permitted for use in your area it can be activated by depressing the recessed button on the **underside of the hand held remote.** (Fig 46) Once activated the thermostat symbol (Fig 47) will be displayed when the thermostat button is pressed

To activate a set point temperature:

1. Press the thermostat button to activate the thermostat mode. The temperature and thermostat symbols will appear.
2. Press and hold the thermostat button on the lower right hand side of the hand held remote for 5 seconds. (Fig 48) The temperature icon on the display will flash. (Fig 49)
3. While the temperature icon is flashing use the up and down arrows to set the temperature to the desired setting.
4. Once the desired setting is reached, press the OK button. If the OK button is not pressed the icon will continue to flash for 5 seconds and then set itself to the temperature displayed.
5. The fireplace is now in thermostatic mode. To exit the thermostatic mode press the program, manual or timer buttons. Please note that the first press of the manual

Fig. #48

THERMOSTATIC BUTTON



Fig. #47

THERMOSTAT SYMBOL

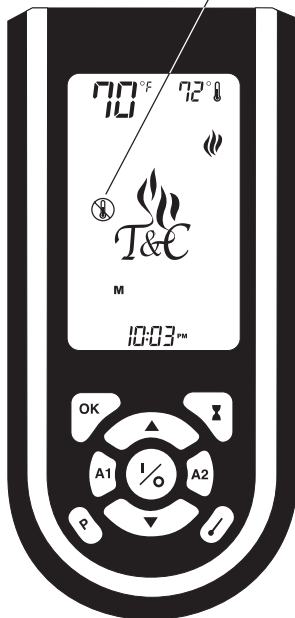


Fig. #49

TEMPERATURE SETTING



APPENDIX

Maintenance

CAUTION:

Turn off gas and electrical power supply (if applicable) and allow ample time for unit to cool before servicing appliance. It is recommended that the fireplace and its venting should be inspected at least once a year by a qualified service person.

Glass Panel:

Warning: Do not operate fireplace with glass panel removed, cracked or broken. Replacement of the glass panel should be done by a licensed or qualified service person.

Do not strike or otherwise impact the glass in anyway that may cause it to break. If the glass becomes cracked or broken it must be replaced before using the fireplace. Replacement glass can be obtained from your nearest Town & Country Fireplaces™ dealer. The size required is 52" x 42" x 5mm. Use ceramic glass only. **Do not substitute with any other type.**

To remove broken glass, remove window frame as noted in "Window Frame Removal" section.

Unclip the Glass Retainer Clips located at the top and sides of the Window Frame. Pull the top edge of the glass out of the frame first, then lift it up and out of the bottom edge.

Install the new piece of glass with the gasket into the frame so that the thicker bead of gasket faces the fireplace.

Re-install glass retaining clips.

Annual Inspection:

- a) Remove glass panel and log set. Inspect logs and burner assembly for soot buildup. If excessive buildup of soot is present, have a qualified service person inspect and adjust unit for proper combustion. Clean logs and burner with a brush or vacuum cleaner, paying close attention to burner ports. Replace ember material if needed.
- b) Check the pilot system for proper flame size and operation. Clean pilot free of soot, dust or any other deposits. (See Fig. #50)
- c) Check that the vent pipe and vent terminal are open and free from blockage or debris. If the venting is disassembled for cleaning, it must be properly assembled and re-sealed. Refer to VENTING section for proper procedure.
- d) Check glass panel gasket, replace if necessary. It is important that the glass seal be maintained in good condition.
- e) Check and replace batteries as needed.

Note: The appliance area must be kept clear and free from combustible materials, gasoline and other flammable vapours and liquids.

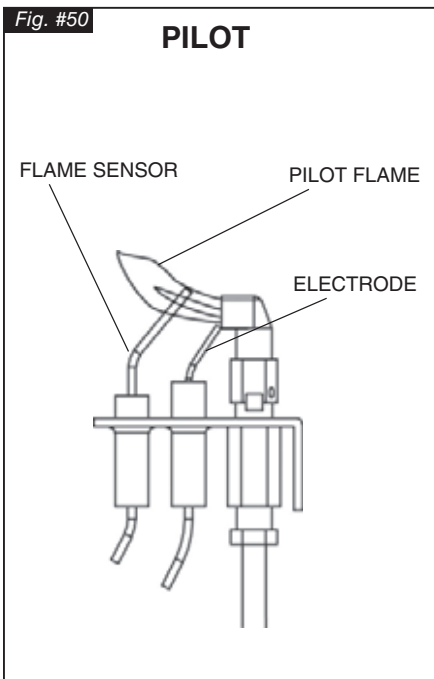
Periodically:

- a) Viewing glass may be cleaned as necessary with fireplace glass cleaner.
- b) Exterior finish may be cleaned with mild soap and water.

CAUTION:

Do not use abrasive cleaners on glass or any other part of the fireplace.

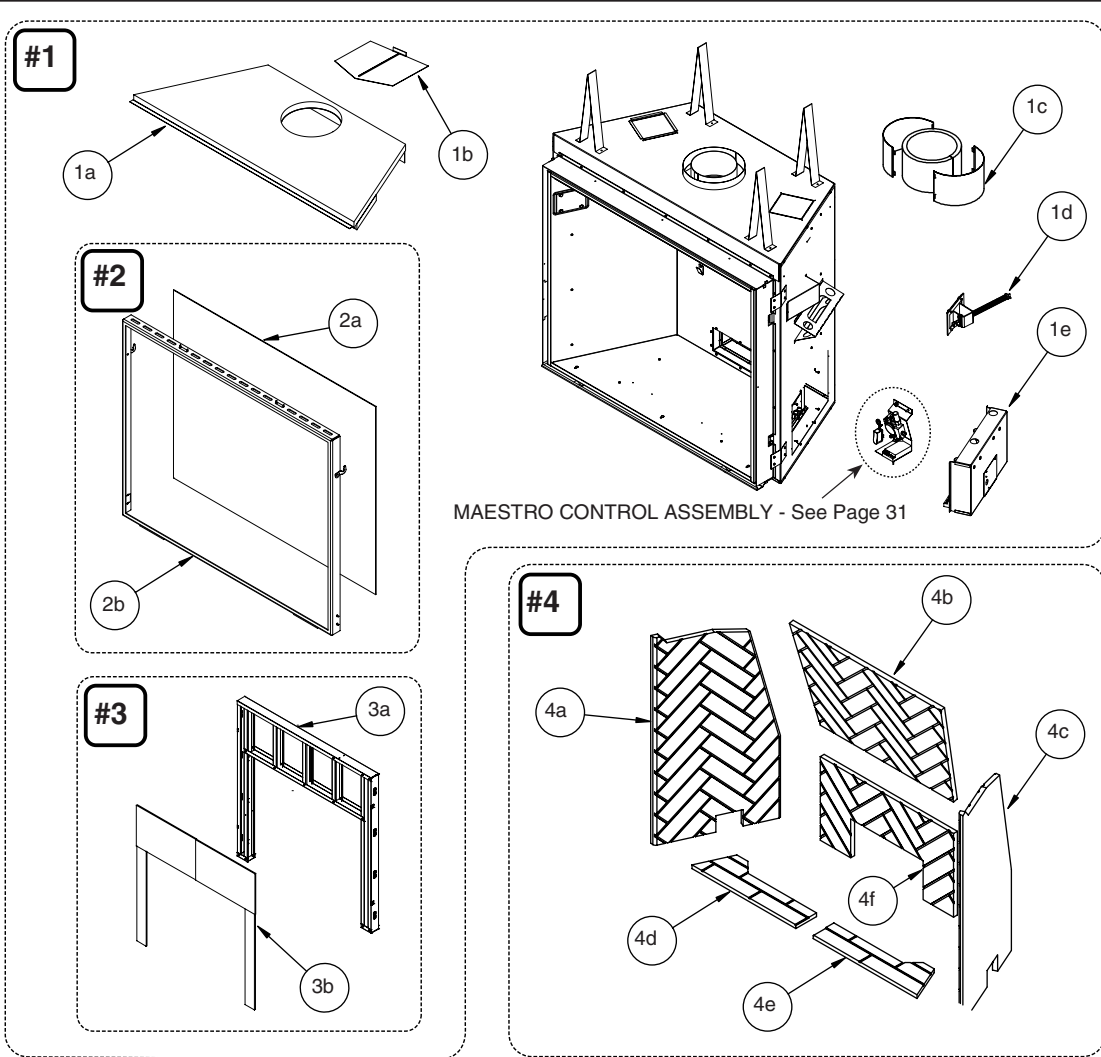
Do not clean glass when hot.



Replacement Parts

(WHEN ORDERING, INCLUDE PART NUMBER WITH DESCRIPTION)

ITEM	DESCRIPTION	PART NO.	ITEM	DESCRIPTION	PART NO.
#1	TC54 BODY ASSEM	TC54.CE	#4	PANEL SETS	
#2	FRAME & GLASS ASSEM.....	TC54. 8120		HERRINGBONE.....	TCPN.771
#3	FRAMING KIT	TC54. FRKIT		TUSCAN.....	TCPN.772
				HERITAGE RED.....	TCPN.773
				BLACK PORCELAIN.....	TCPN.774.C
				C B BROWN PORCELAIN.....	TCPN.774CB.C



MAESTRO CONTROL ASSEMBLY - See Page 31

KIT CONTENTS:

#1.....TC54 BODY ASSEMBLY

- 1a FIREBOX SHIELD (c/w insulation)
- 1b FLUE DAMPER
- 1c COLLAR SHIELD
- 1d SPRING LATCH ASSEMBLY(2)
- 1e CONTROL ASSEMBLY HOLDER
- REMOVABLE LATCH HANDLE (not shown)
- BRICK PANEL RETAINER (not shown)
- 2a REPLACEMENT GLASS (c/w gasket)
- 2b GLASS FRAME
- GLASS RETAINER (not shown)
- GLASS GASKET KIT (not shown)
- 3a STEEL STUDS
- 3b CONCRETE BOARD

#2.....FRAME & GLASS ASSEMBLY

- 2a REPLACEMENT GLASS (c/w gasket)
- 2b GLASS FRAME
- GLASS RETAINER (not shown)
- GLASS GASKET KIT (not shown)

#3.....FRAMING KIT

- 3a STEEL STUDS
- 3b CONCRETE BOARD

#4.....PANEL SETS

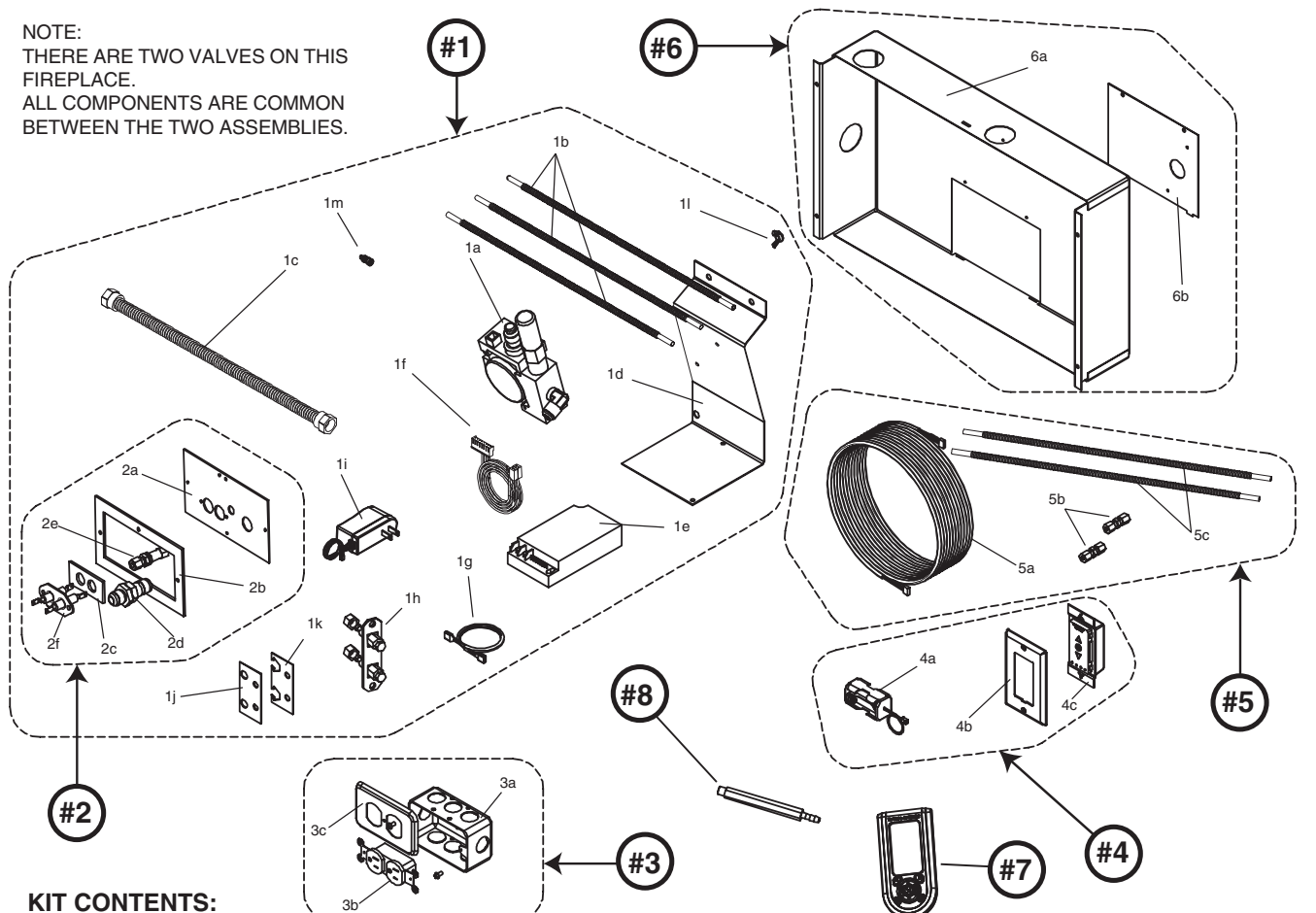
- 4a PANEL, LEFT SIDE
- 4b PANEL, UPPER
- 4c PANEL, RIGHT SIDE
- 4d PANEL, LEFT BASE
- 4e PANEL, RIGHT BASE
- 4f PANEL, LOWER BACK

Replacement Parts – Maestro Control System

(WHEN ORDERING, INCLUDE PART NUMBER WITH DESCRIPTION)

ITEM.....DESCRIPTION..... PART NO.	ITEM.....DESCRIPTION..... PART NO.
#1.....CONTROL ASSEMBLY KIT..... TCRP.9271A	#5.....COMMUNICATION CABLE KIT..... TCRP.5005.062
#2.....BULKHEAD ASSEMBLY KIT TCRP.9284	#6.....CONTROL BOX KIT..... TCRP.8170WLD
#3.....UTILITY BOX ASSEMBLY KIT TCRP5024.405	#7.....REMOTE HAND SET 5005.05
#4.....WALL SWITCH ASSEMBLY KIT TCRP5005.04	#8.....TEST FITTING..... 5019.104

NOTE:
THERE ARE TWO VALVES ON THIS
FIREPLACE.
ALL COMPONENTS ARE COMMON
BETWEEN THE TWO ASSEMBLIES.



KIT CONTENTS:

#1.... CONTROL ASSEMBLY KIT

- 1a VALVE c/w FITTINGS
- 1b 1/4" FLEX TUBE
- 1c 1/2" FLEX TUBE
- 1d CONTROL MOUNTING BRACKET
- 1e IGNITION MODULE
- 1f WIRING HARNESS
- 1g IGNITION/ SENSOR WIRES
- 1h PRESSURE TEST ASSEMBLY
- 1i AC ADAPTOR
- 1j TC36ST PLATE (A)
- 1k TC36ST PLATE (B)
- 1l WING NUT
- 1m TC30 MINIMUM RATE SCREW, NG
- 2a INLET PLATE
- 2b INLET PLATE GASKET
- 2c ELEC BULKHEAD GASKET
- 2d 1/2" BULKHEAD FITTING
- 2e 1/4" BULKHEAD FITTING
- 2f ELEC BULKHEAD FITTING

#2.... BULKHEAD ASSEMBLY KIT

- 2a INLET PLATE
- 2b INLET PLATE GASKET
- 2c ELEC BULKHEAD GASKET
- 2d 1/2" BULKHEAD FITTING
- 2e 1/4" BULKHEAD FITTING
- 2f ELEC BULKHEAD FITTING

#3.... UTILITY BOX ASSEMBLY KIT

- 3a UTILITY BOX
- 3b ELECTRICAL RECEPTACLE
- 3c COVER PLATE

#4.... WALL SWITCH ASSEMBLY KIT

- 4a BATTERY HOLDER
- 4b WALL SWITCH COVER PLATE
- 4c WALL SWITCH

#5.... COMMUNICATION CABLE KIT

- 5a 25' COMMUNICATION CABLE
- 5b 1/4" BULKHEAD FITTING
- 5c 1/4" FLEX TUBE

#6.... CONTROL BOX KIT

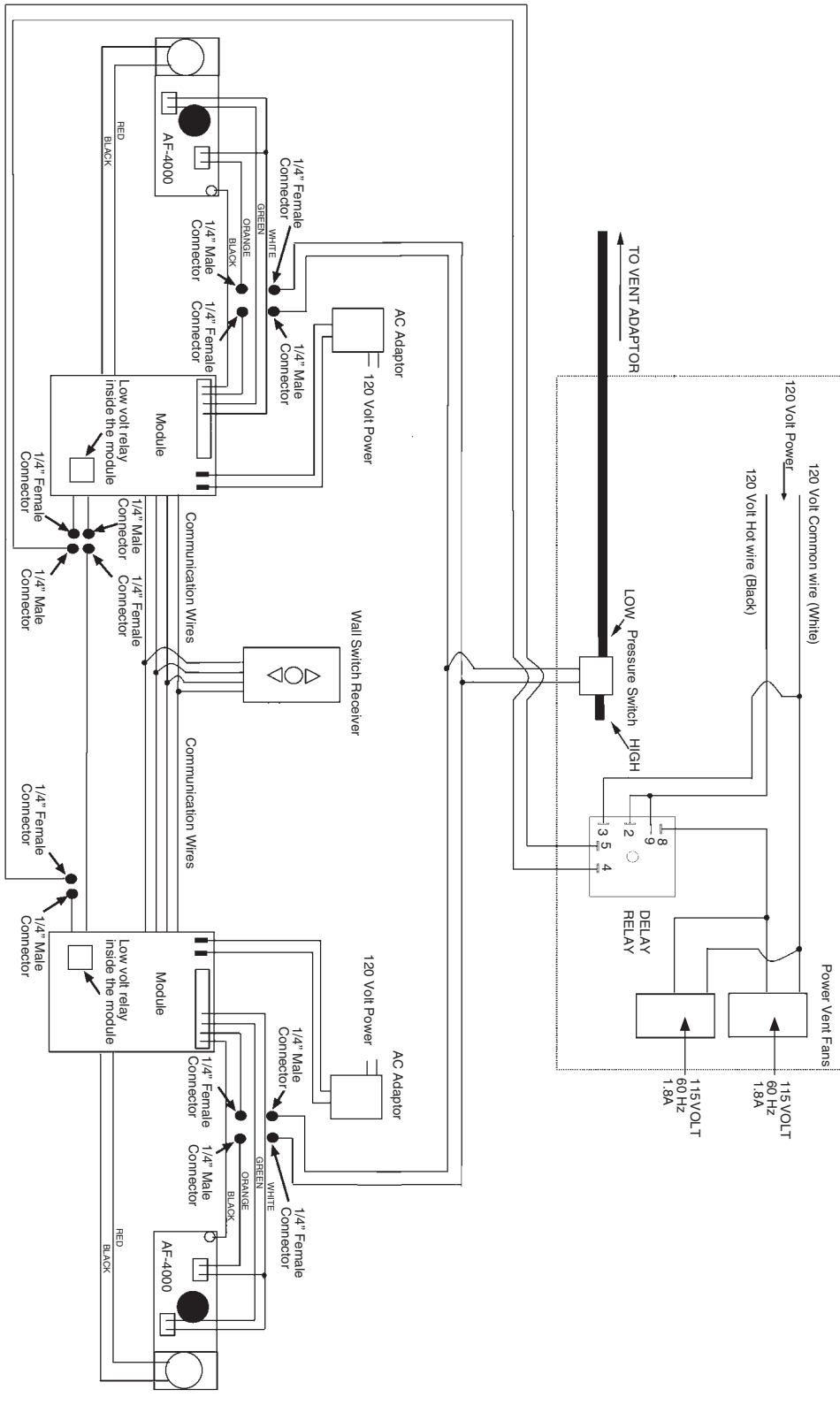
- 6a CONTROL BOX
- 6b CONTROL BOX COVER

#7.... REMOTE HAND SET

#8.... TEST FITTING

Wiring Diagram

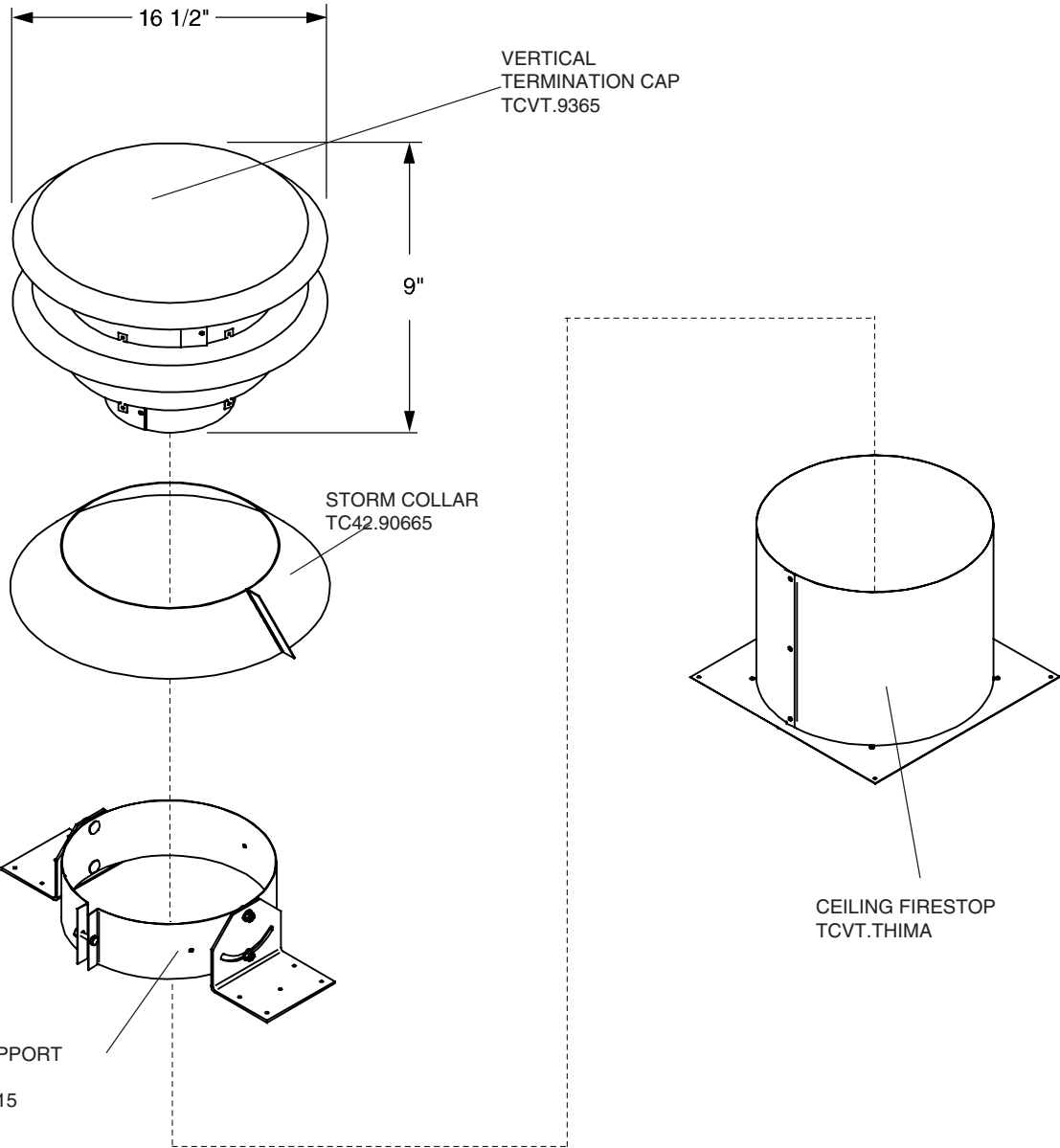
Fig. #53



Roof Termination Kit

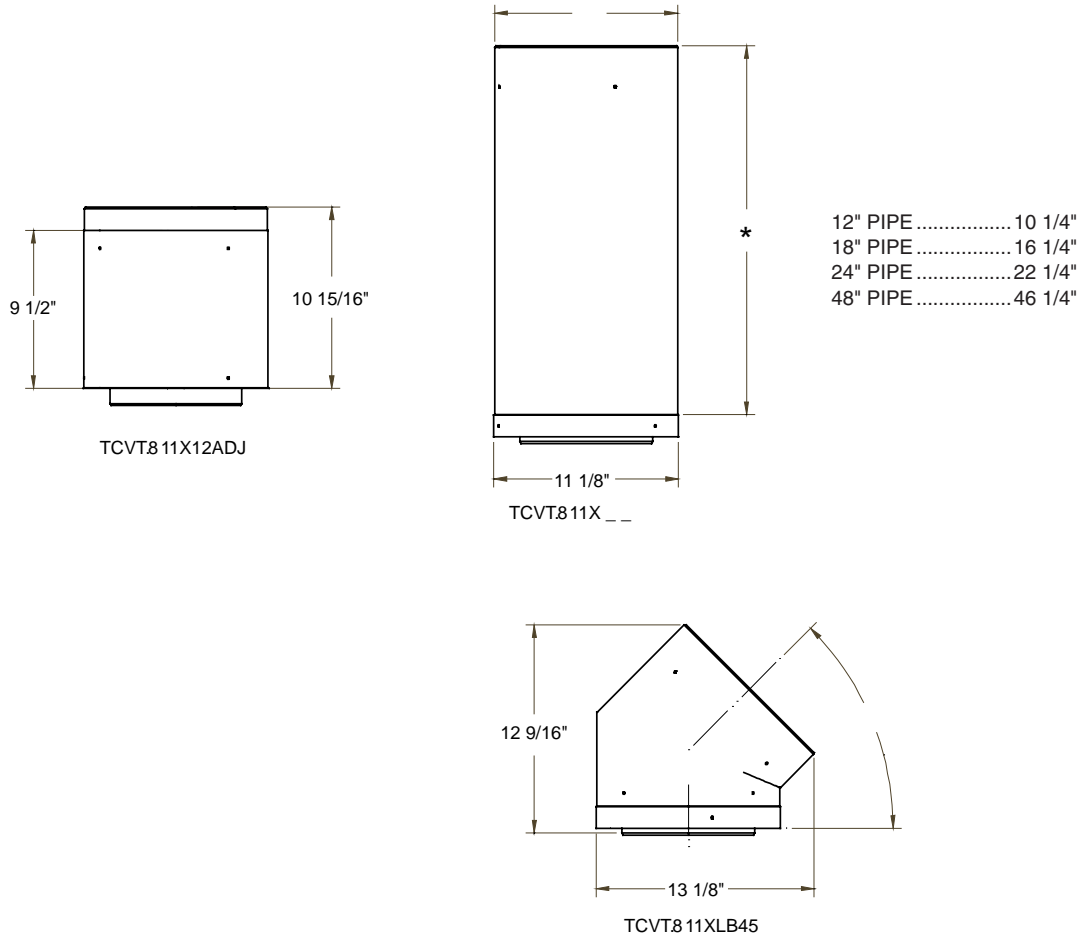
TCVT.RTA

Fig. #54



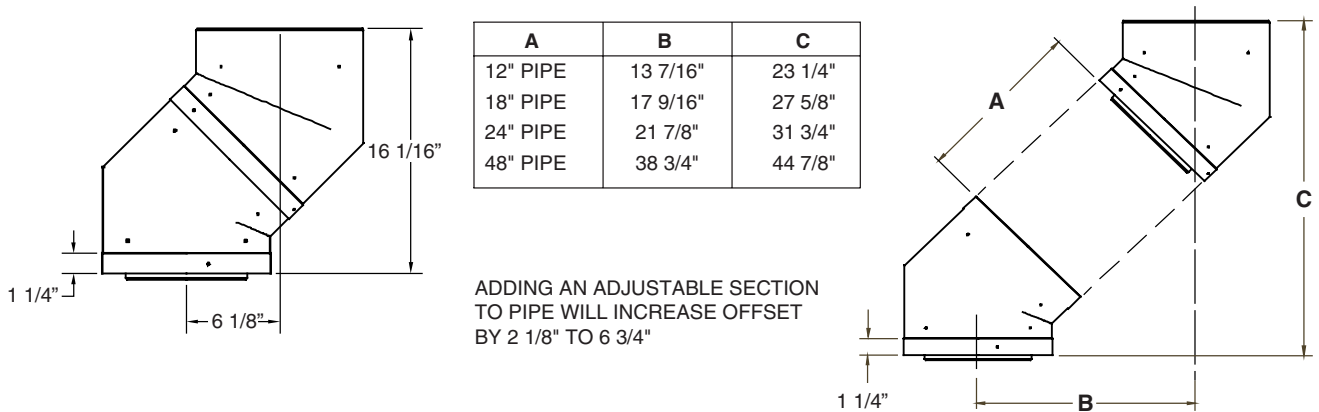
Vent Pipe Dimensions

Fig. #55



Vent Offset Chart

Fig. #56



Safety Label Location

NOTE: The Safety Label is located on a plate found in a slot between the left hand side lintel and the left hand side window frame. This plate is attached to the lintel with a cable.



VENTED GAS FIREPLACE - NOT FOR USE WITH SOLID FUEL FOYER AU GAZ À ÉVACUATION - NE PAS UTILISER AVEC DU COMBUSTIBLE SOLIDE

ANSI Z21.50b-2002 / CSA 2.22b-2002 Vented Gas Fireplaces
CAN/CGA 2.17-M91 Gas-Fired Appliance For Use At High Altitudes.
Certified for / Certifié pour Canada and U.S.A.

WH-

This Appliance is Equipped For Use With /
Cet Appareil est Équipé Pour Utiliser Avec :

NATURAL GAS ■ LP-GAS ■
GAZ NATUREL ■ LP GAZ ■

TOWN & COUNTRY
FIREPLACES™
MODEL/
MODELE: **TC54**

SERIES/
SERIE: **C**

MADE IN CANADA
FABRIQUE AU CANADA

FOR USE WITH/ EN CASE D'EMPLOI AVEC:

Minimum supply pressure / Pression minimum d'alimentation:
(For the purpose of input adjustment / dans le but de régler l'alimentation)
Maximum supply pressure / Pression maximum d'alimentation:
Manifold pressure / Pression de la tuyauterie: Maximum

Orifice Size / Diametre de l'injecteur:

Input BTU/hr (kW) / Entree BTU/h (kW):

NATURAL GAS/ DU GAZ NATUREL

5.0 in/wc / 5.0 po/c.e.
(1.25 kPa)
13.9 in/wc / 13.9 po/c.e.
(3.45 kPa)
3.4 in/wc / 3.4 po/c.e.
(0.85 kPa)

28 (3.57 mm)

Max.: 93,000 (27.26)
Min.: 67,000 (19.63)

LP GAS/ DU GAZ LP

12.5 in/wc / 12.5 po/c.e.
(3.11 kPa)
13.9 in/wc / 13.9 po/c.e.
(3.45 kPa)
11.0 in/wc / 11.0 po/c.e.
(2.74 kPa)

#43 (2.26 mm)

Max.: 93,000 (27.26)
Min.: 67,000 (19.63)

Optional components: Remote Heat Kit (TC36.RHKA), / Éléments facultatifs: Kit à Distance de la Chaleur (TC36.RHKA),
Blower electrical rating: 115v, 60hz, 0.5 A / Normes électriques du ventilateur: 115v, 60hz, 0.5 A

This appliance equipped for altitudes 0 - 4500 ft. (0 - 1372 m) / Cet unité est conçu pour des altitudes variant entre 0 - 4500 pieds (0 - 1372 m). In Canada, also certified for installation in a bedroom or a bedsitting room / Aussi certifié pour installation dans une chambre à coucher ou une salle de séjour. This appliance must be installed in accordance with local codes, if any; if none, follow the current CAN/CGA-B149 (Canada), or ANSI Z223.1 (USA) Installation Codes. Installer l'appareil selon les codes ou règlements locaux, ou, en l'absence de tels règlements, selon les codes d'installation CAN/CGA-B149 (Canada), or ANSI Z223.1 (USA) en vigueur.

MANUFACTURED (MOBILE) HOME: This appliance is only for use with the type of gas indicated on the rating plate and may be installed in an aftermarket, permanently located, manufactured (mobile) home where not prohibited by local codes. See owners manual for details.

FABRIQUEZ (MOBILE) MAISON: Cet appareil doit être utilisé uniquement avec le type de gaz indiqué sur la plaque signalétique et peut être installé dans une maison préfabriquée (mobile) installée à demeure si les règlements locaux le permettent. Voir la notice du propriétaire pour plus de détails. Cet appareil ne peut être converti à d'autres gaz sauf si une trousse de conversion certifiée est utilisée.

Install in accordance with the current standard Mobile Homes, CAN/CSA Z240 MH (in CANADA), and the Manufacturer's Home Construction and Safety Standard, Title 24 CFR, Part 3280, or the current Standard for Fire Safety Criteria for Manufactured Home Installations, Sites, and Communities ANSI/NFPA 501A, (in the U.S.A.). Cet appareil doit être installé conformément aux exigences de la norme CAN/CSA Z240 MH en vigueur de l'ACNOR, Installations de gaz dans les Constructions Mobiles.

FOR USE WITH GLASS DOORS CERTIFIED WITH THE APPLIANCE ONLY / POUR UTILISATION UNIQUEMENT AVEC LES PORTES IN VERRE CERTIFIÉES AVEC L'APPAREIL

MINIMUM CLEARANCES TO COMBUSTIBLES / CLAIRANCES MINIMALES AVEC LES COMBUSTIBLE

Left and Right side are determined when facing the front of the appliance. / Les côtés droit et gauche se déterminent en se mettant devant l'appareil et en lui faisant face.

Top, Back and Side Standoffs / Sommet, Arrière et Côté Butée
Sidewall to Appliance / Du mur latéral à l'appareil
Ceiling to Appliance / Plafond à l'appareil
Mantel to Appliance / Du manteau à l'appareil
Maximum Mantel Extension / Allongement maximum du manteau
*See Installation Manual for more detail / Voyez des Directive de l'Installation pour plus détails.
Mantel Supports / Supports du manteau
Vent Pipe / Déchargez le Tuyau

0 in./ 0 po. (0 mm)
4 in./ 4 po. (102 mm)
24 in./ 24 po. (610 mm)
*17 in./ 17 po. (432 mm)
*12 in./ 12 po. (305 mm)

4 in./ 4 po. (102 mm)
1.75 in./ 1.75 po. (45 mm)

Pacific Energy
Fireplace Products Ltd.
Duncan, British Columbia,
Canada

DDV
TECHNOLOGY

WARNING: Improper installation, adjustment, alteration, service or maintenance can cause injury or property damage. Refer to the owner's information manual provided with this appliance. For assistance or additional information, consult a qualified installer, service agency or the gas supplier.

AVERTISSEMENT: Une installation, un réglage, une modification, une réparation ou un entretien mal effectué peut causer des dommages matériels ou des blessures. Voir la notice de l'utilisateur qui accompagne l'appareil. Pour de l'aide ou des renseignements supplémentaires, consultez un installateur, un technicien agréé ou le fournisseur de gaz.

060606

5050.72035

1-TC54-C



TOWN & COUNTRY
FIREPLACES™

Technical support: 1-877-715-2664
Web site: www.townandcountryfireplaces.net
2975 Allenby Rd., Duncan, BC V9L 6V8