



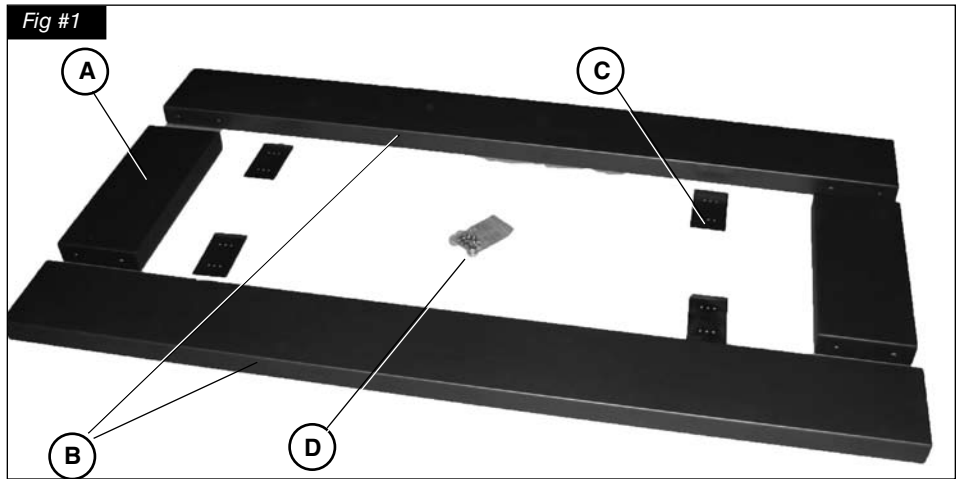
TOWN & COUNTRY
FIREPLACES™

TCWS38 WIDE SCREEN SURROUND INSTALLATION INSTRUCTIONS

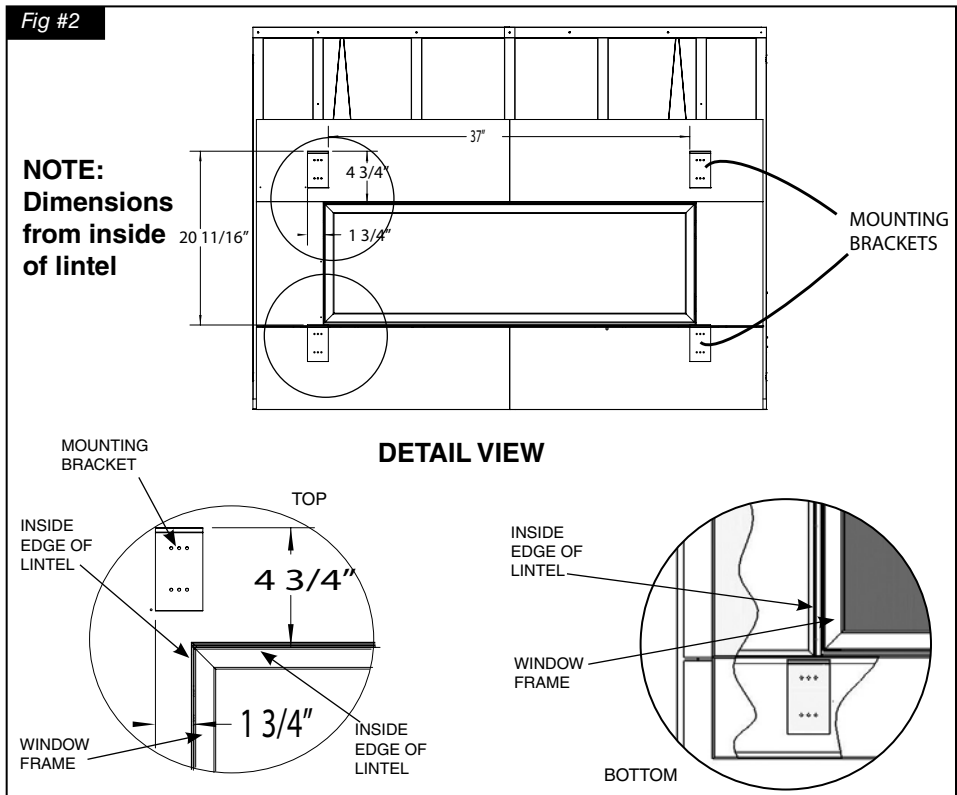
Contents of Package

1. Remove contents of package and ensure all parts are there.

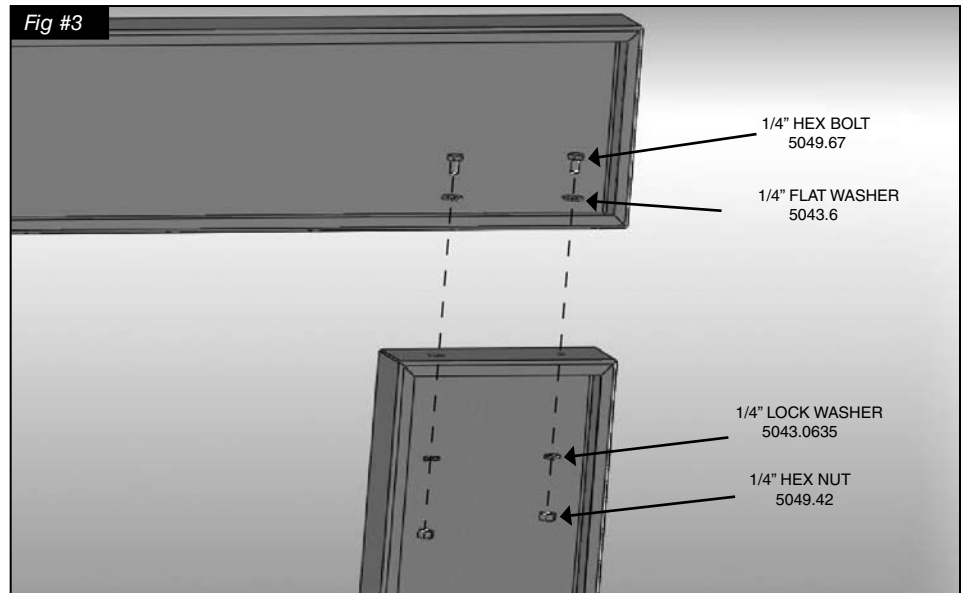
- A SURROUND SIDES (2)
- B SURROUND TOP/BOTTOM (2)
- C SURROUND MOUNTING BRACKETS (4)
- D FASTENERS



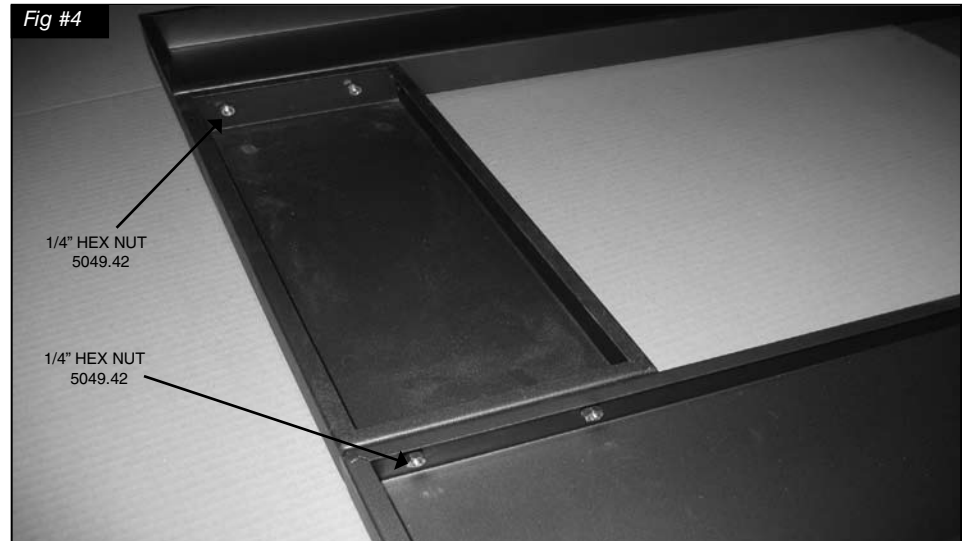
2. Attach Wide Screen Surround Mounting Brackets using included screws. Fig #2.



- Assemble Top and Sides of Surround. Fig #3



- Secure fasteners using 7/16" wrench, ensure 1/4" Hex Nut is facing down. Fig #4



- Engage the back edge of the Surround with the Mounting Brackets and align the surround to the lintel. Fig #5

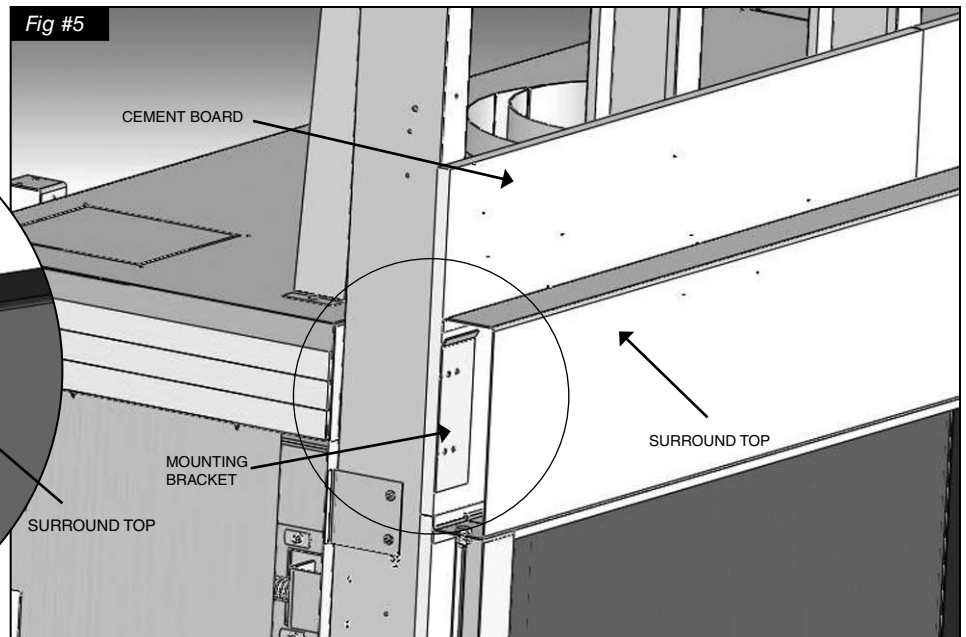
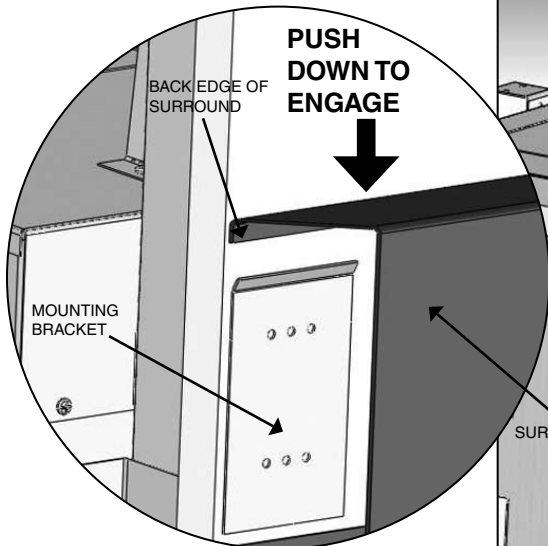
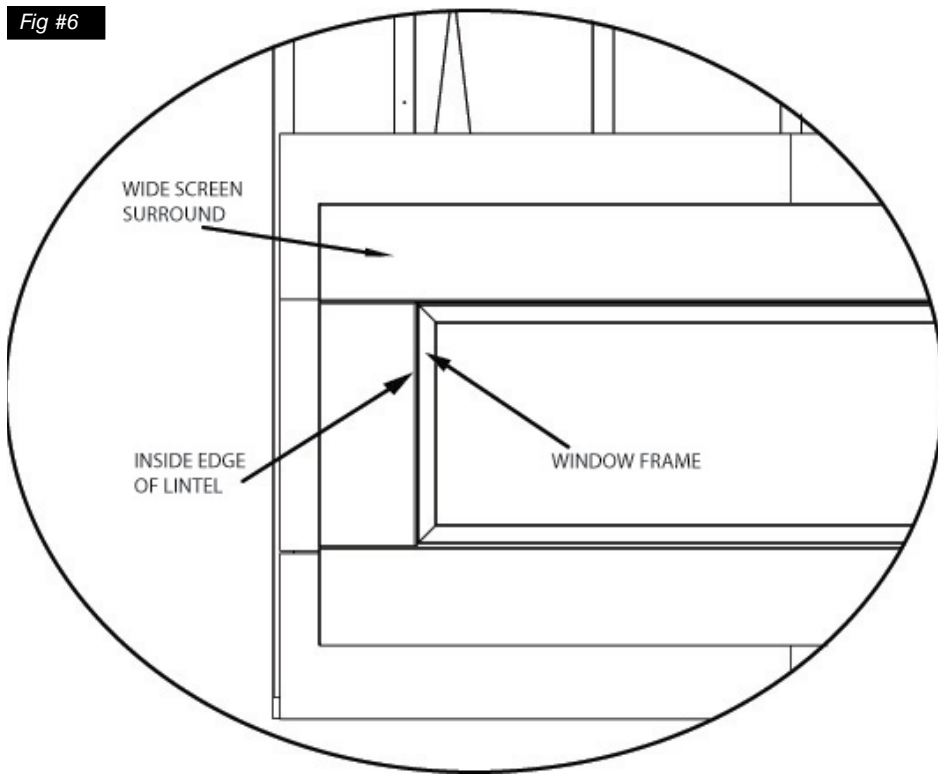


Fig #6



6. Align Wide Screen Surround with inside edge of the Lintel.

CAUTION:
Ensure the Surround does not overlap the edge of the lintel so not to impede the window safety release mechanism



TOWN & COUNTRY
FIREPLACES™

TECHNICAL SUPPORT: 1-250-748-1184
www.townandcountryfireplaces.net
2975 Allenby Rd., Duncan, BC V9L 6V8