

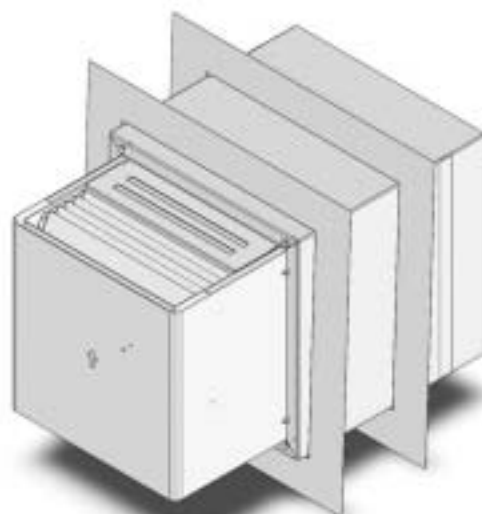
**IMPORTANT:
THESE INSTRUCTIONS ARE TO REMAIN
WITH THE APPLIANCE INSTRUCTIONS**

These instructions are supplementary to the Installation and Operating Instructions supplied with the fireplace and should be kept together. Refer to the Installation and Operating Instructions for proper gas supply, safety requirements and operating instructions.



**TOWN & COUNTRY
FIREPLACES™**

**STAINLESS STEEL
VENT TERMINAL**



**TCVT.SSWTA
INSTALLATION AND
OPERATING
INSTRUCTIONS**



TC Stainless Steel Vent Terminal Installation Instructions

The TC Stainless Steel Vent Terminal is intended for use in climates that warrant stainless steel construction as well as in hard to reach places. The 2 phase installation allows the sleeve to be installed during the construction phase, while the terminal can be installed at the same time as the fireplace.

This terminal kit can be used both in residential and commercial installation.

EXTERIOR WALL OPENING

Having determined the position of the fireplace, cut and frame a 16 3/4 x 16 3/4 inch opening centered at a minimum height above the floor as specified in the fireplace manual. Height of the opening will vary with each installation. As the horizontal vent run increases, so does the minimum vertical rise.

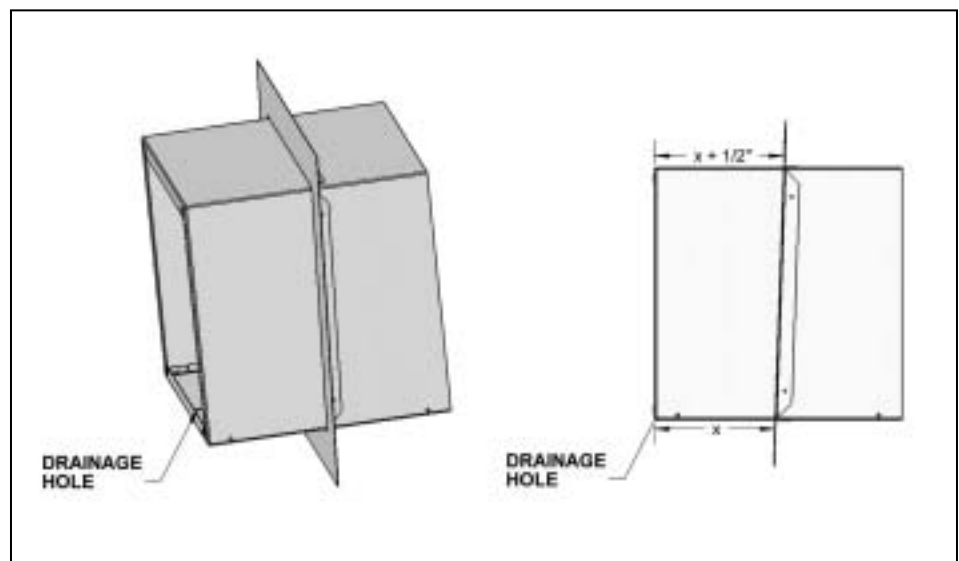
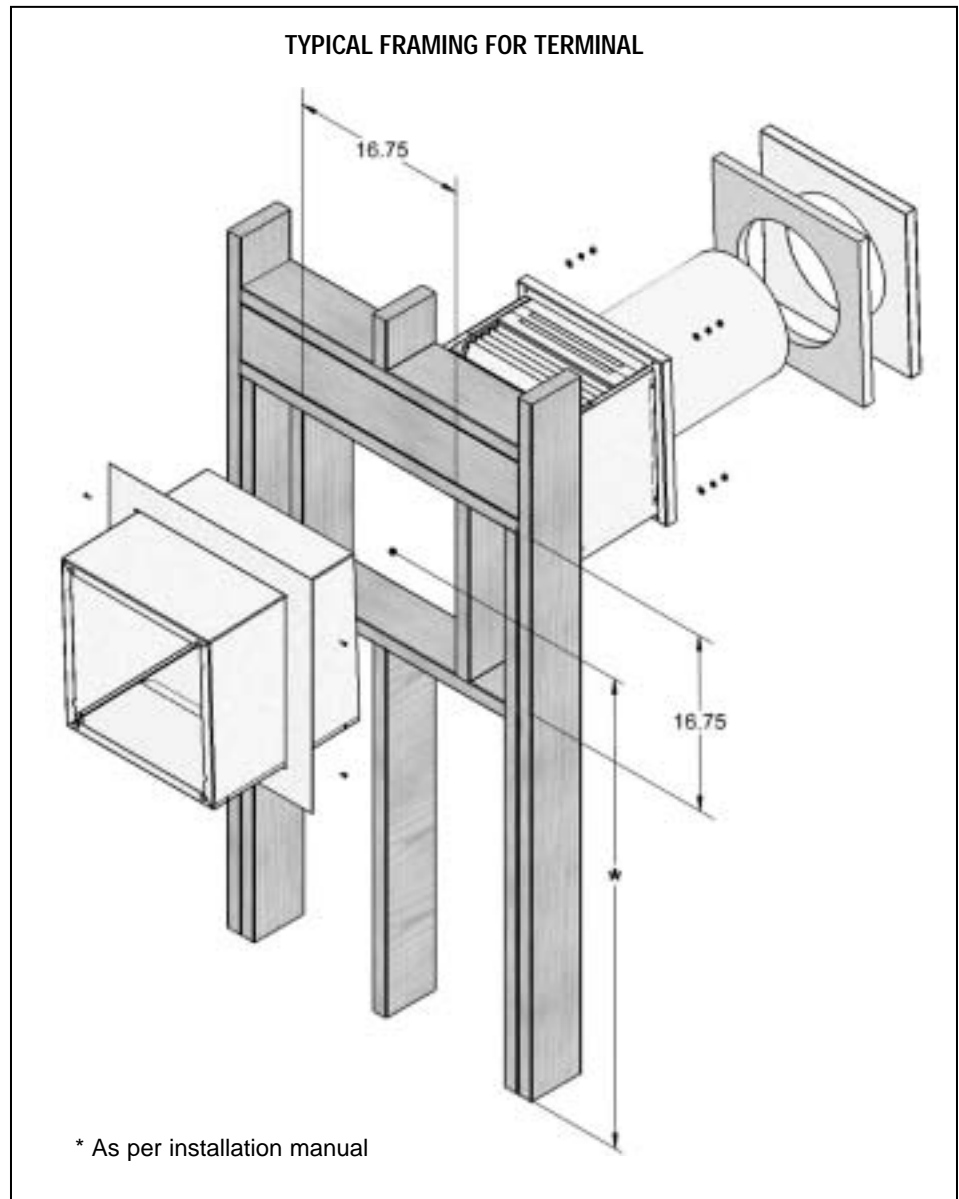
IMPORTANT: When locating the opening, it should be noted that vent terminal exterior clearances must be maintained. See "Vent Terminal Clearances" section in the fireplace manual for proper clearances.

SLEEVE INSTALLATION

Slide the mounting flange over the sleeve so that the fastening holes are oriented to the side of the sleeve.

Set the flange back far enough so that the sleeve will protrude a minimum of 1" beyond the exterior wall surface.

Flange set back will depend on the type of installation. If the sleeve is to be fastened over top of siding, set the flange back 1" from the end of the sleeve. If the sleeve is to be fastened under the siding or wall veneer assembly, set the flange



(Sleeve installation Continued)

back the thickness of the veneer plus 1". To ensure that the terminal mounts on a 2° descending angle, set the flange back 1/2" more on the top than at the bottom. Bottom of the sleeve is identified by a small drainage hole located near the front.

Drill 1/8" holes and fasten flange to sleeve with screws provided.

Install the sleeve assembly through the wall opening from the outside of the building. Fasten the sleeve assembly to the building ensuring that the assembly is on a downward slope to the outside and the small drainage hole is at the bottom.

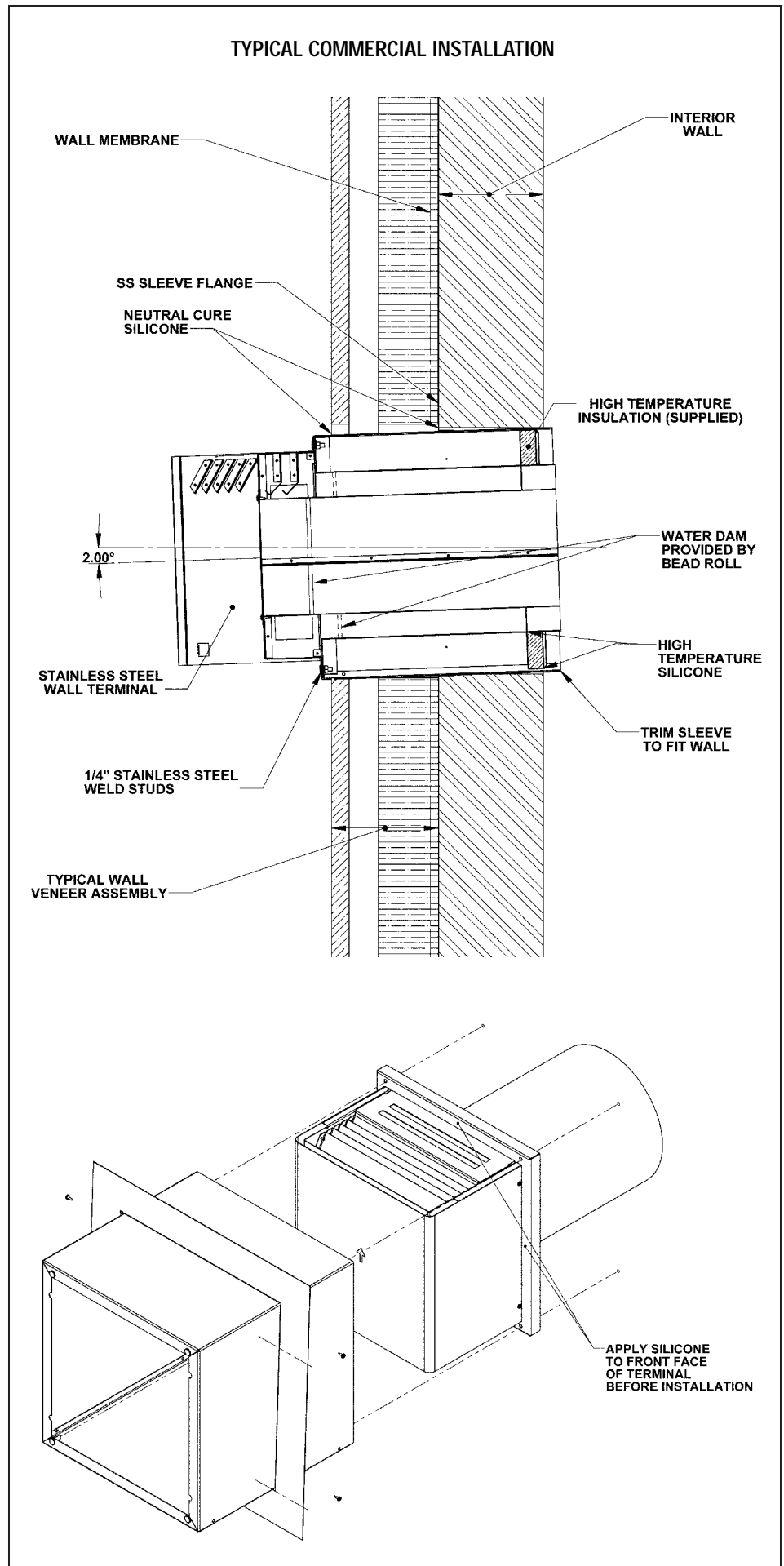
The 2° descending angle is necessary to ensure that there is no water accumulation within any of the terminal components.

VENT TERMINAL INSTALLATION

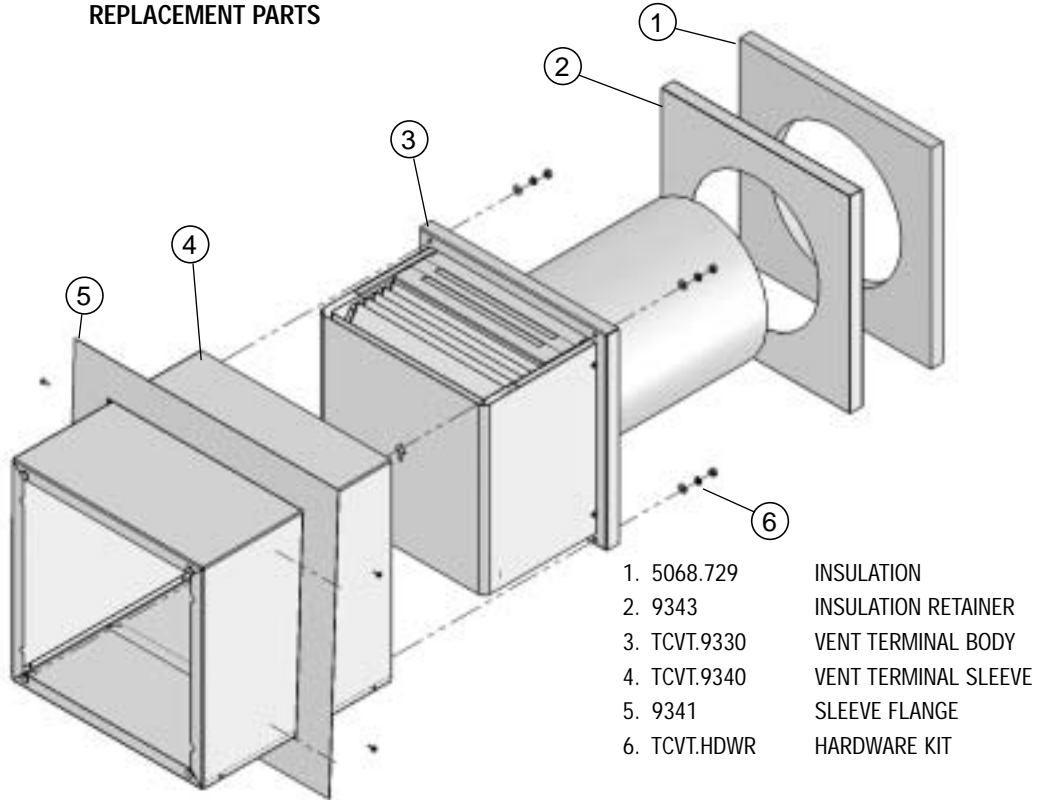
Apply a bead of silicone on the front face of the terminal. With embossed arrow pointing up, insert the termination into the sleeve, guiding the holes over the studs. Fasten termination in place using the washers, lockwashers and nuts provided.

Install insulation material into sleeve, followed by insulation retainer. Insulation retainer should be fastened to terminal sleeve using 4 screws.

Install remainder of venting as per the installation instruction supplied with the fireplace.



REPLACEMENT PARTS



TOWN & COUNTRY
FIREPLACES™

www.townandcountryfireplaces.net

Toll Free: 1-888-223-0088

2975 Allenby Road, Duncan, BC Canada V9L 6V8