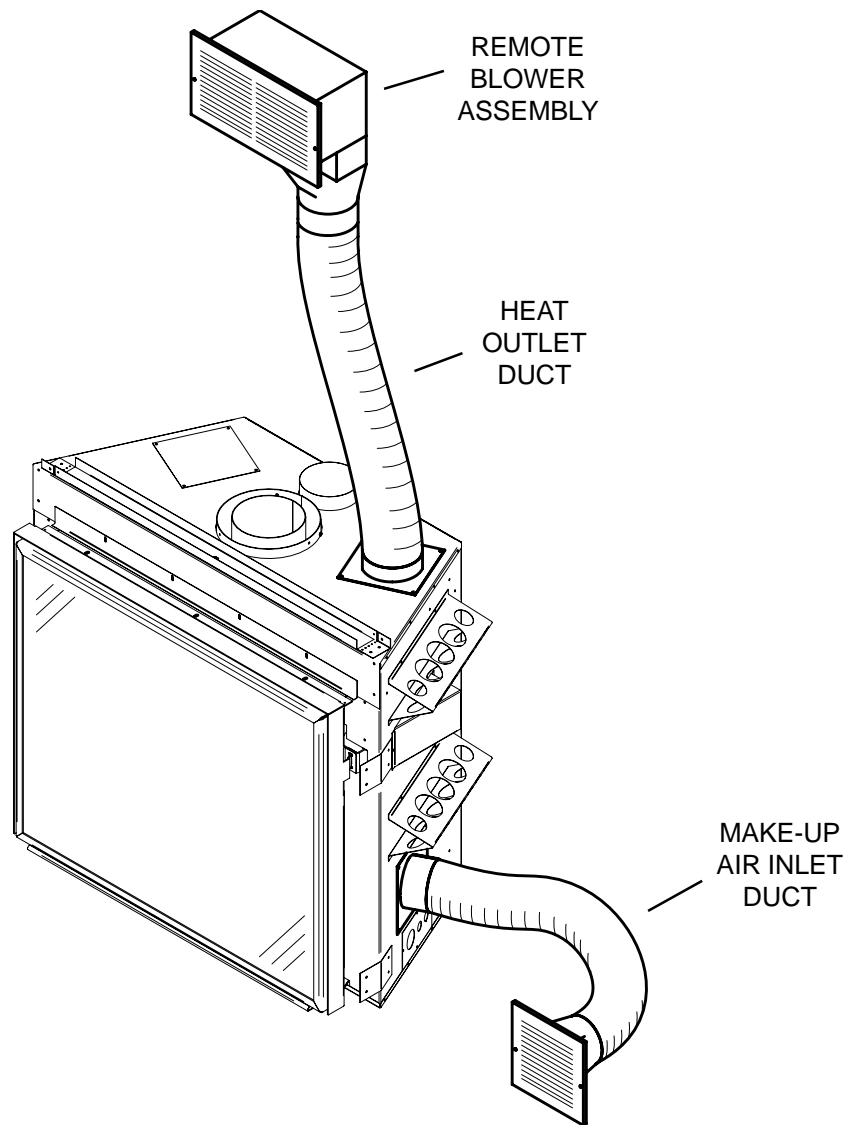




TOWN & COUNTRY  
FIREPLACES™

# OPTIONAL REMOTE HEAT KIT

## TC36.RHKA INSTALLATION AND OPERATING INSTRUCTIONS



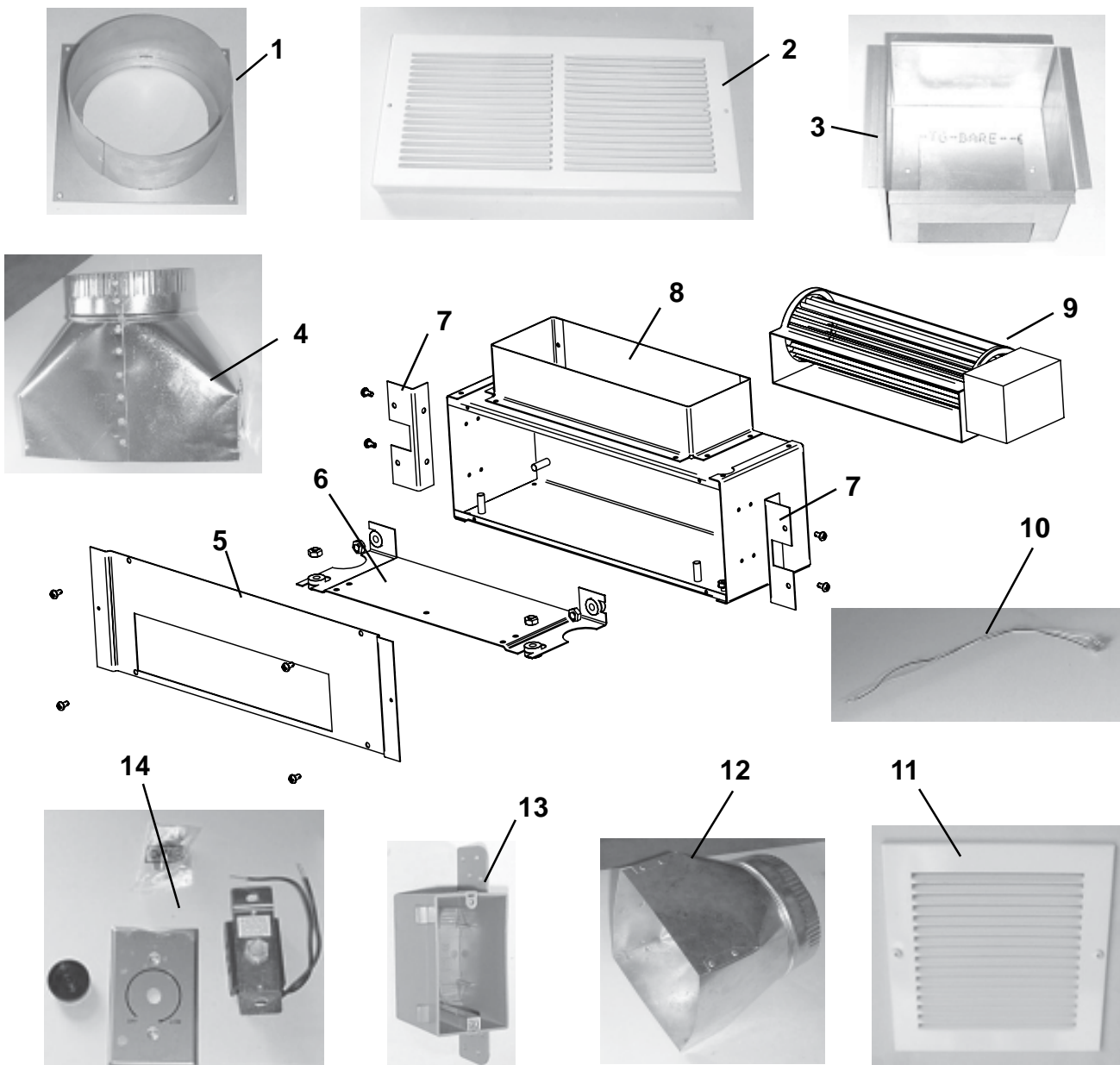
Warnock Hersey



**IMPORTANT:  
THESE INSTRUCTIONS ARE TO REMAIN WITH THE  
HOMEOWNER**

## Kit Replacement Parts

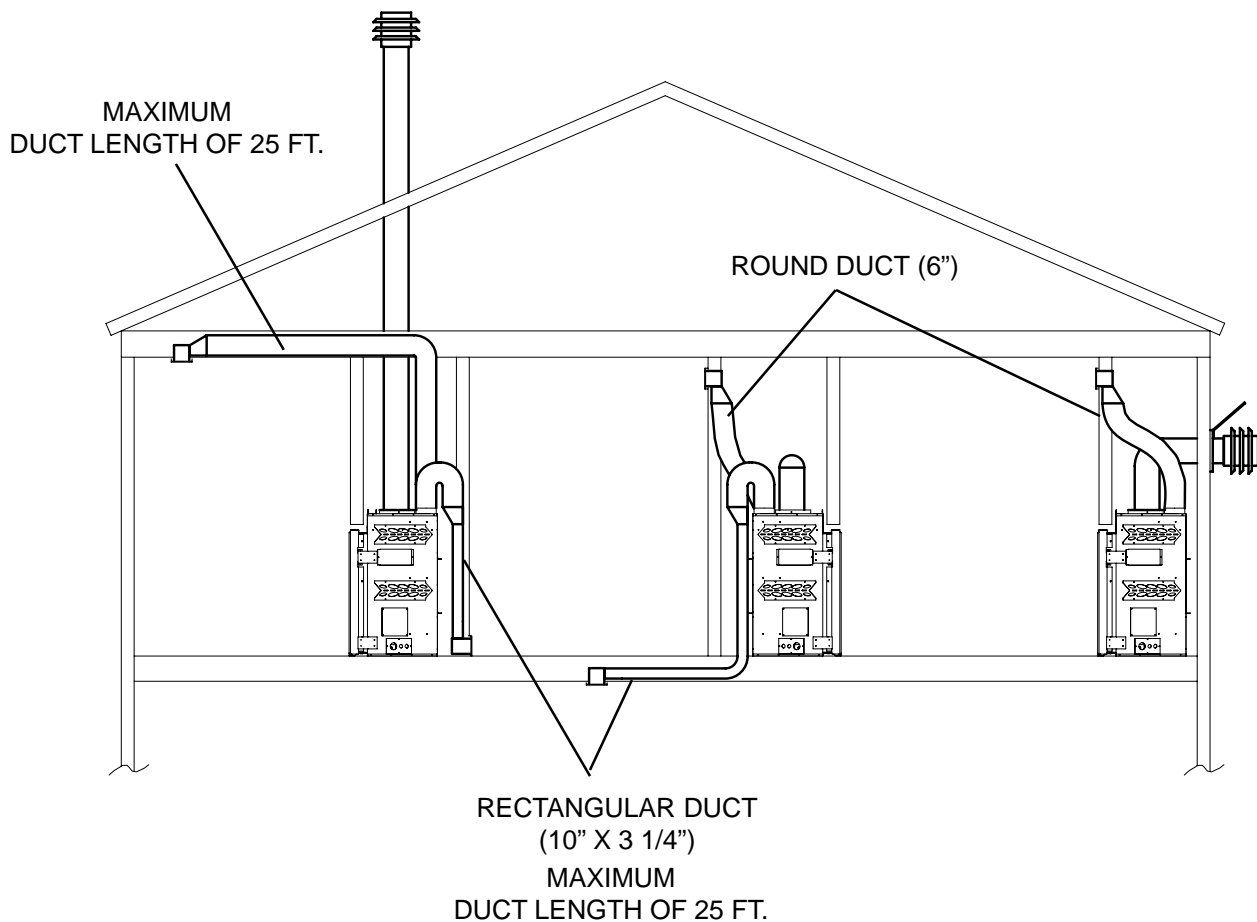
ITEM	DESCRIPTION	PART NUMBER	ITEM	DESCRIPTION	PART NUMBER
1	DUCT ADAPTER PLATE	TC36-9128	10	WIRE PIG TAIL	TC63.50625
2	OUTLET GRILLE	5096.854	11	INLET GRILLE	5096.851
3	REMOTE HEAT FLAP BOX	TC36-9122	12	INLET ADAPTER BOOT	5096.852
4	TRANSITION BOOT	5096.853	13	JUNCTION BOX	5024.408
5	BLOWER CASING FACEPLATE	9144	14	RHEOSTAT KIT	5025.001
6	BLOWER FAN BRACKET	9146			
7	BLOWER WALL BRACKET	9147		REMOTE BLOWER ASSEMBLY	
8	REMOTE BLOWER BOX	TC36.9141		(items 5 to 10)	TC36.9146ASSY
9	BLOWER	5024.65			



The amount of heat from this kit is affected by the length and number of bends. To maximize the performance the length and number of bends should be kept to a minimum.

## INSTALLATIONS EXAMPLES

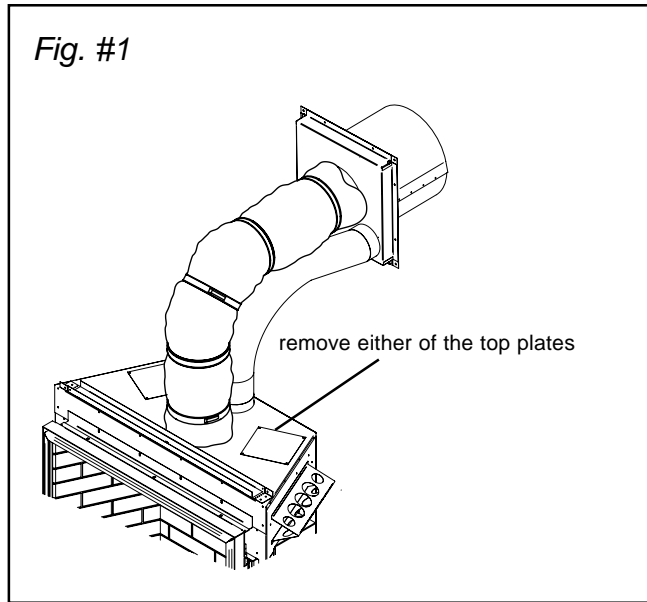
Duct clearance to combustible material:  
within 36" of unit = 1/2"  
more than 36" = 0"



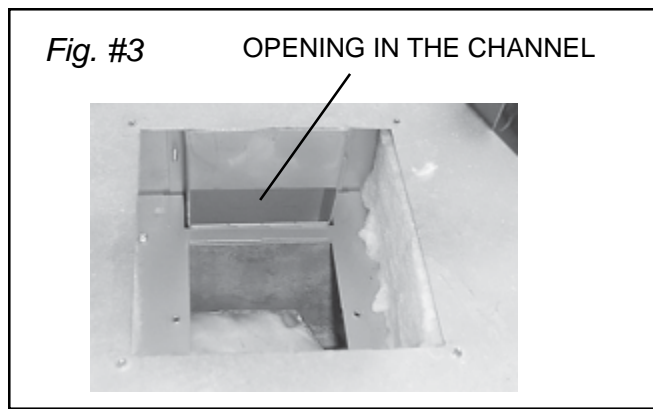
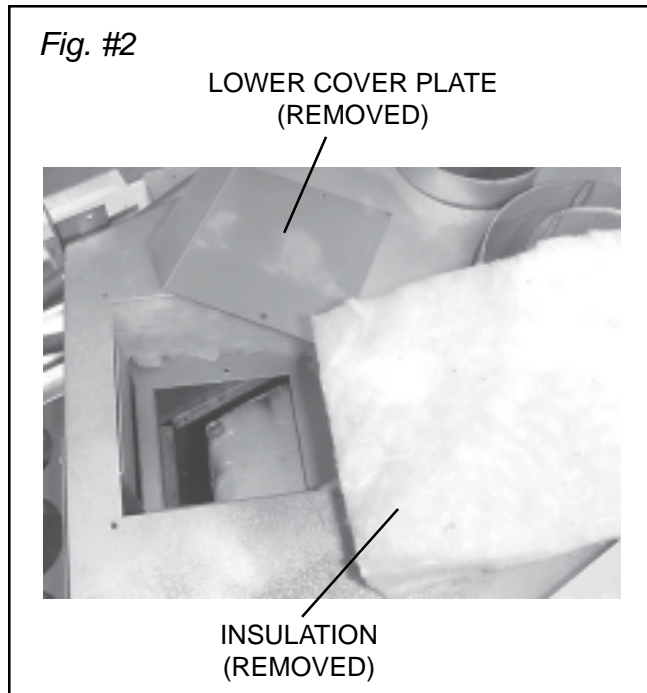
## WALL OR CEILING INSTALLATION

The Optional Remote Heat Kit allows heat to be transferred to other parts of the home. One or two Remote Heat Kits may be used.

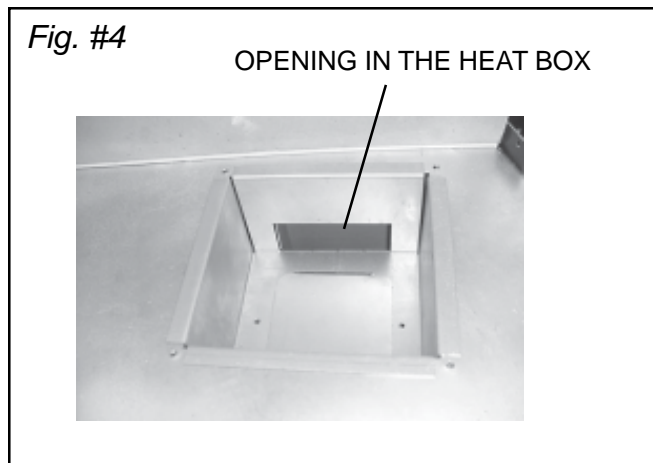
- 1) Remove either of the top cover plates from the unit.



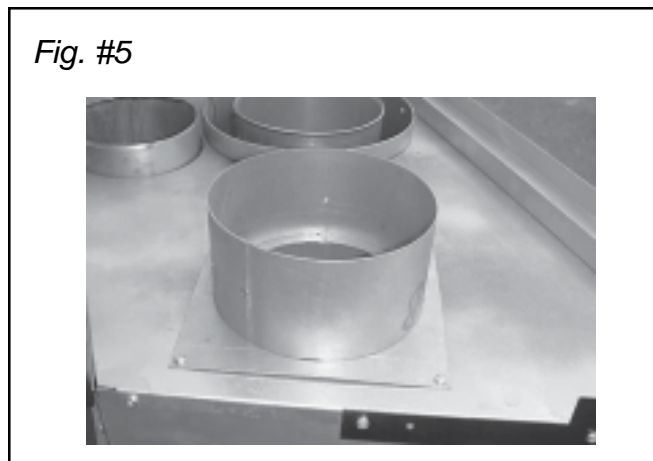
- 2) Remove the insulation directly below the opening and remove the lower cover plate.



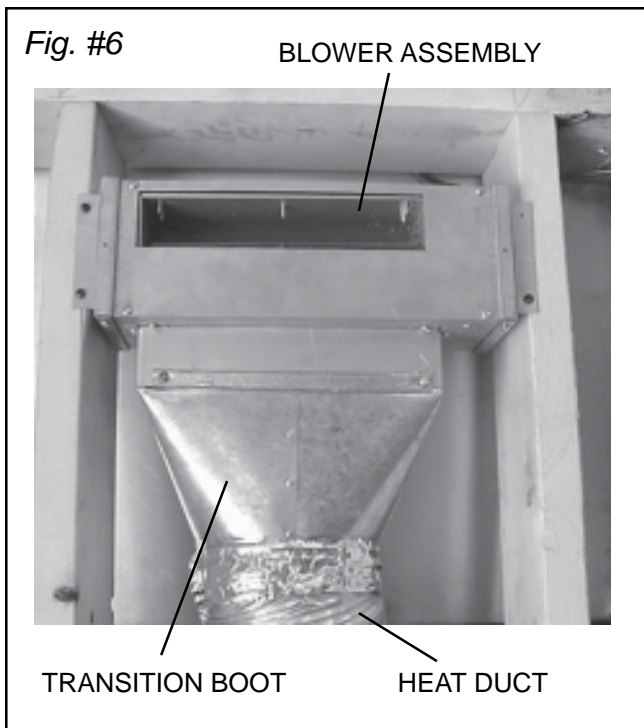
- 3) Install the Remote Heat Flap Box to the top of the unit and fix using two screws. Ensure opening in the heat box mates with the opening in the channel on the unit, and that the flap in the assembly is free to move. (Flap should be in the normally closed position with the blower off)



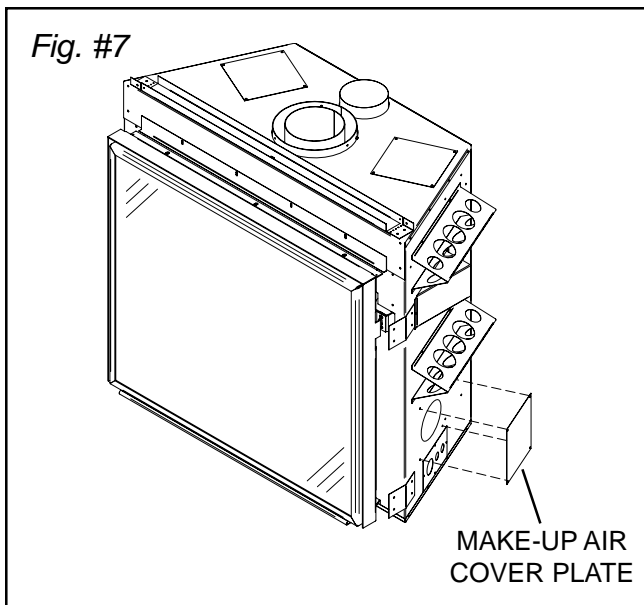
- 4) Attach the Duct Adapter Plate to top of unit using the 4 screws previously removed.



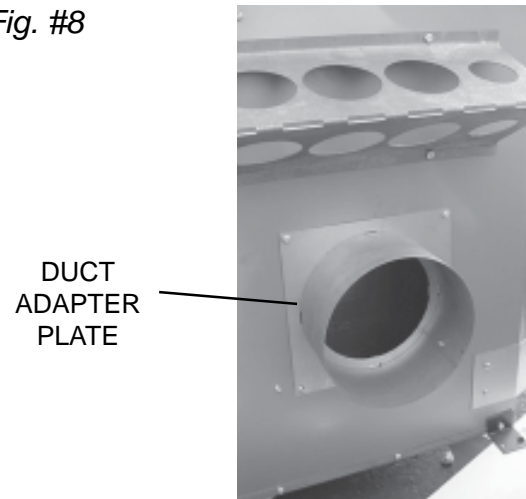
- 5) Locate the Remote Blower Assembly in the desired wall or ceiling location, maximum 25 ft. away from the unit, and secure to the framing.



- 6) Attach the 3 1/4" x 10" Transition Boot to the Remote Blower Assembly and seal with aluminum duct tape. Run a 6" diameter flexible aluminum heat duct or equivalent between the blower and the fireplace. Fasten in place with screws and seal with aluminum duct tape.



*Fig. #8*



- 7) Remove the make-up air cover plate from the side of the unit (same side as the remote heat flap box has been fitted).
- 8) Attach the Duct Adapter Plate over the side opening with the 4 screws previously removed.

*Fig. #9*



- 9) Locate the make-up air Inlet Adapter Boot in a desired location and secure to framing.
- 10) Run a 6" diameter duct from the adapter to the fireplace. Fasten in place with screws and seal with aluminum duct tape.
- 11) Attach finishing grills over both inlet and outlet using the two screws provided.

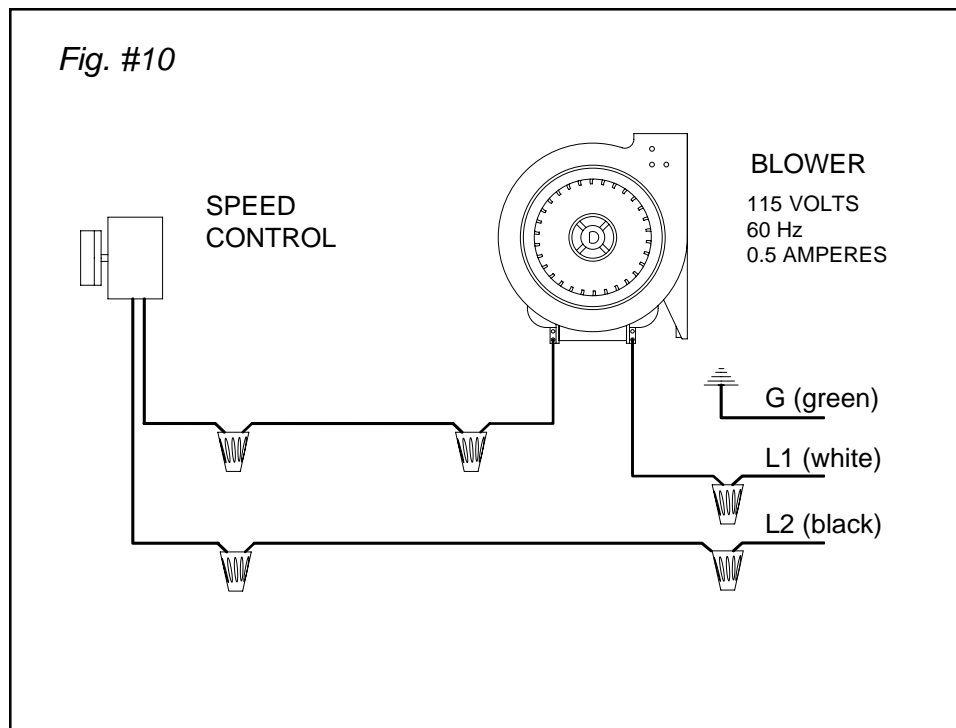
## ELECTRICAL WIRING

**Note: All electrical wiring must be done by a qualified electrician.**

**Consult local codes or, in the absence of local codes, with the current CSA C22.1 Canadian Electrical Code and in the USA with the National Electrical Code, ANSI/NFPA 70 (Latest Edition).**

The Optional Remote Heat blower electrical rating: 115V, 60HZ, 80 watts. For your protection against shock hazard, use only a properly grounded power supply.

This kit includes a junction box, rheostat and cover plate. The junction box should be mounted in a convenient location away from the fireplace.



## OPERATING INSTRUCTIONS

The wall mounted rheostat is used to turn the blower ON and Off, as well control it's speed. Please note that the blower will operate independently to the fireplace. This allows heat to be distributed when the fireplace is on and room air to be circulated when the fireplace is off.

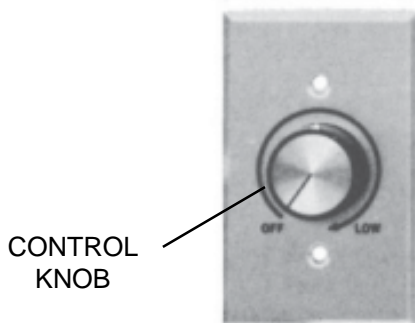
To turn the blower on, rotate the control knob clockwise until the switch snaps on. Continue to rotate clockwise to reduce blower speed. To turn the blower OFF, rotate the control knob counter-clockwise until the switch snaps off.

## MAINTENANCE

We recommend that this kit should be cleaned at least once a year, but it may be necessary to increase the frequency of this dependant on the room location, type of floor coverings, amount of renovation work, etc.

Remove the grill then use a vacuum to clean around the blower and grill, ensuring not to damage the fan blades.

*Fig. #11*





TOWN & COUNTRY  
FIREPLACES™

**PO Box 1060, Duncan, B.C. V9L 3Y2**  
**Web site: [www.townandcountryfireplaces.net](http://www.townandcountryfireplaces.net)**